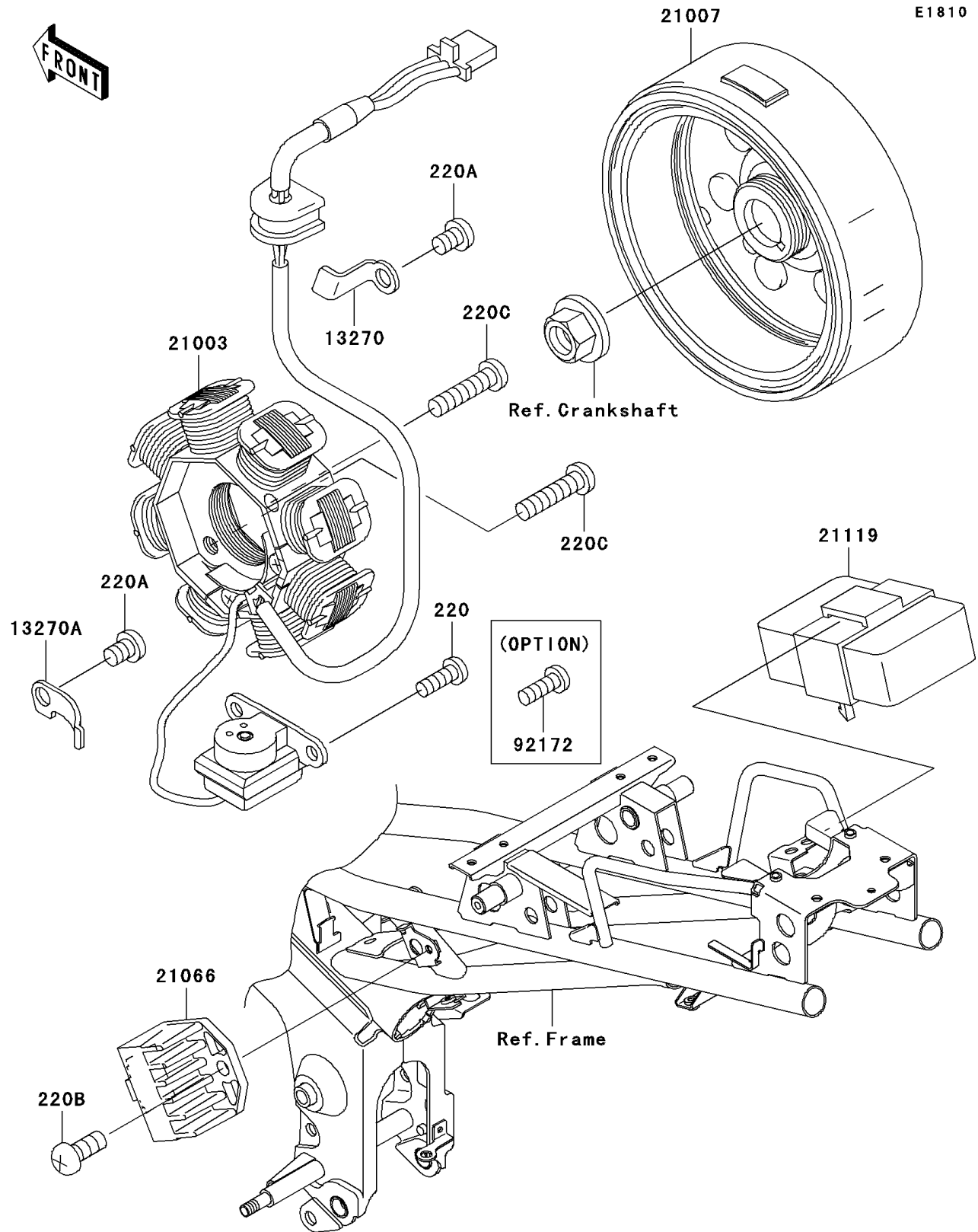


2008 AN112 PARTS DIAGRAM

Generator



2008 AN112 PARTS LIST

Generator

ITEM NAME	PART NUMBER	QUANTITY
SCREW-PAN-CROSS,5X14 (Ref # 220)	220AA0514	2
SCREW-PAN-CROSS,6X8 (Ref # 220A)	220AA0608	2
SCREW-PAN-CROSS,6X14 (Ref # 220B)	220AA0614	1
SCREW-PAN-CROSS,6X25 (Ref # 220C)	220AA0625	2
PLATE (Ref # 13270)	13270-1147	1
PLATE (Ref # 13270A)	13270-1252	1
STATOR (Ref # 21003)	21003-1390	1
ROTOR (Ref # 21007)	21007-0078	1
REGULATOR-VOLTAGE (Ref # 21066)	21066-1132	1
IGNITER (Ref # 21119)	21119-0085	1
SCREW,5X14 (Ref # 92172)	92172-1077	2