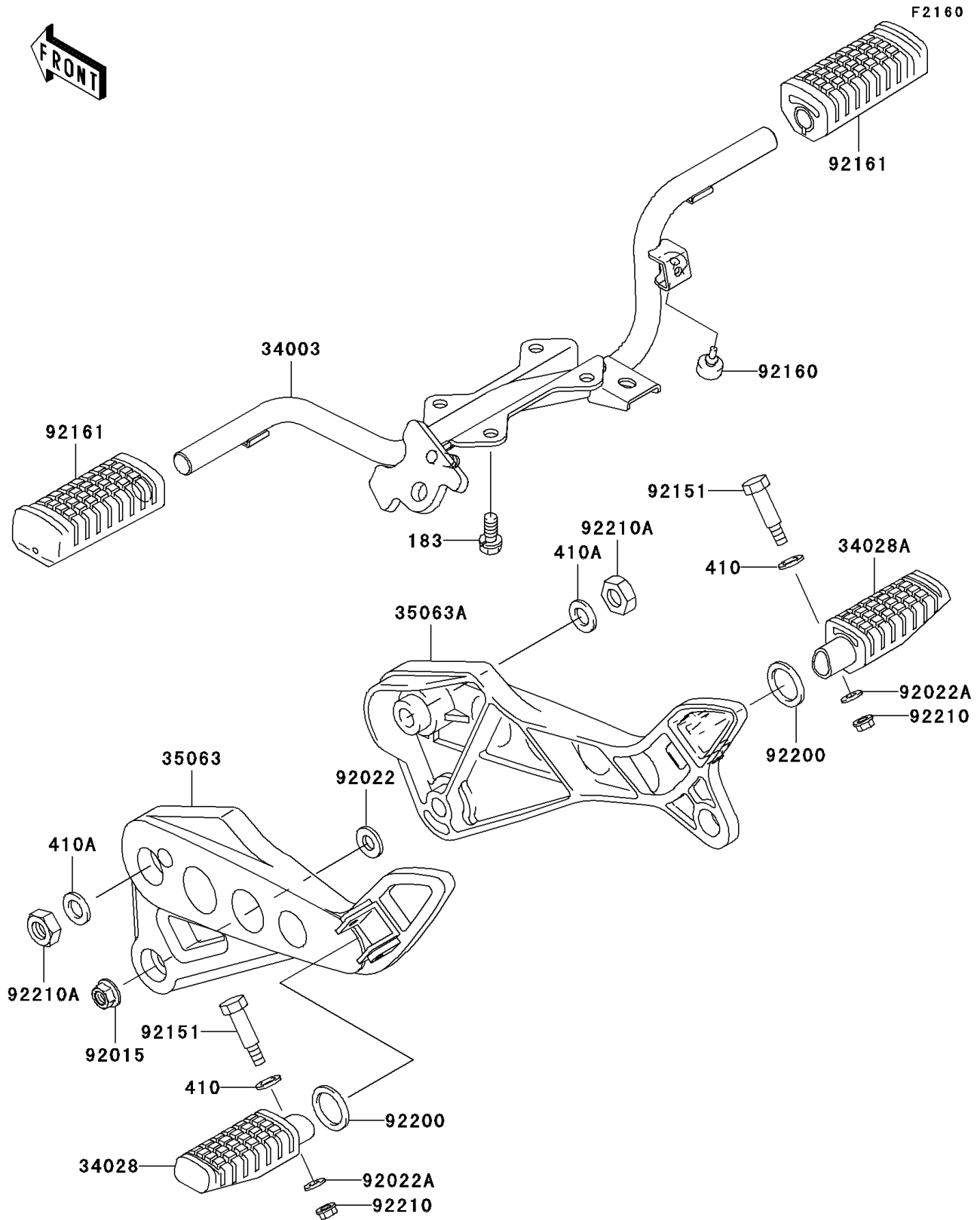


# 2008 AN112 PARTS DIAGRAM

Footrests



## 2008 AN112 PARTS LIST

### Footrests

ITEM NAME	PART NUMBER	QUANTITY
BOLT-UPSET-WS-SMALL,8X20 (Ref # 183)	183BA0820	4
WASHER-PLAIN-SMALL,8MM (Ref # 410)	410AA0800	2
WASHER-PLAIN-SMALL,12MM,BLACK (Ref # 410A)	410AB1200	2
HOLDER-STEP,FR (Ref # 34003)	34003-0035	1
STEP,RR,LH (Ref # 34028)	34028-1437	1
STEP,RR,RH (Ref # 34028A)	34028-1438	1
STAY,RR,LH,SILVER (Ref # 35063)	35063-0297-CE	1
STAY,RR,RH,SILVER (Ref # 35063A)	35063-0298-CE	1
NUT,FLANGED,10MM (Ref # 92015)	92015-1428	1
WASHER (Ref # 92022)	92022-100	1
WASHER,6.5X16X2 (Ref # 92022A)	92022-1565	2
BOLT (Ref # 92151)	92151-1194	2
DAMPER,BRAKE STOPPER (Ref # 92160)	92160-1821	1
DAMPER,STEP RUBBER (Ref # 92161)	92161-1251	2
WASHER,19.5X28X2 (Ref # 92200)	92200-0185	2
NUT,LOCK,FLANGED,6MM (Ref # 92210)	92210-0181	2
NUT,12MM (Ref # 92210A)	92210-0182	2