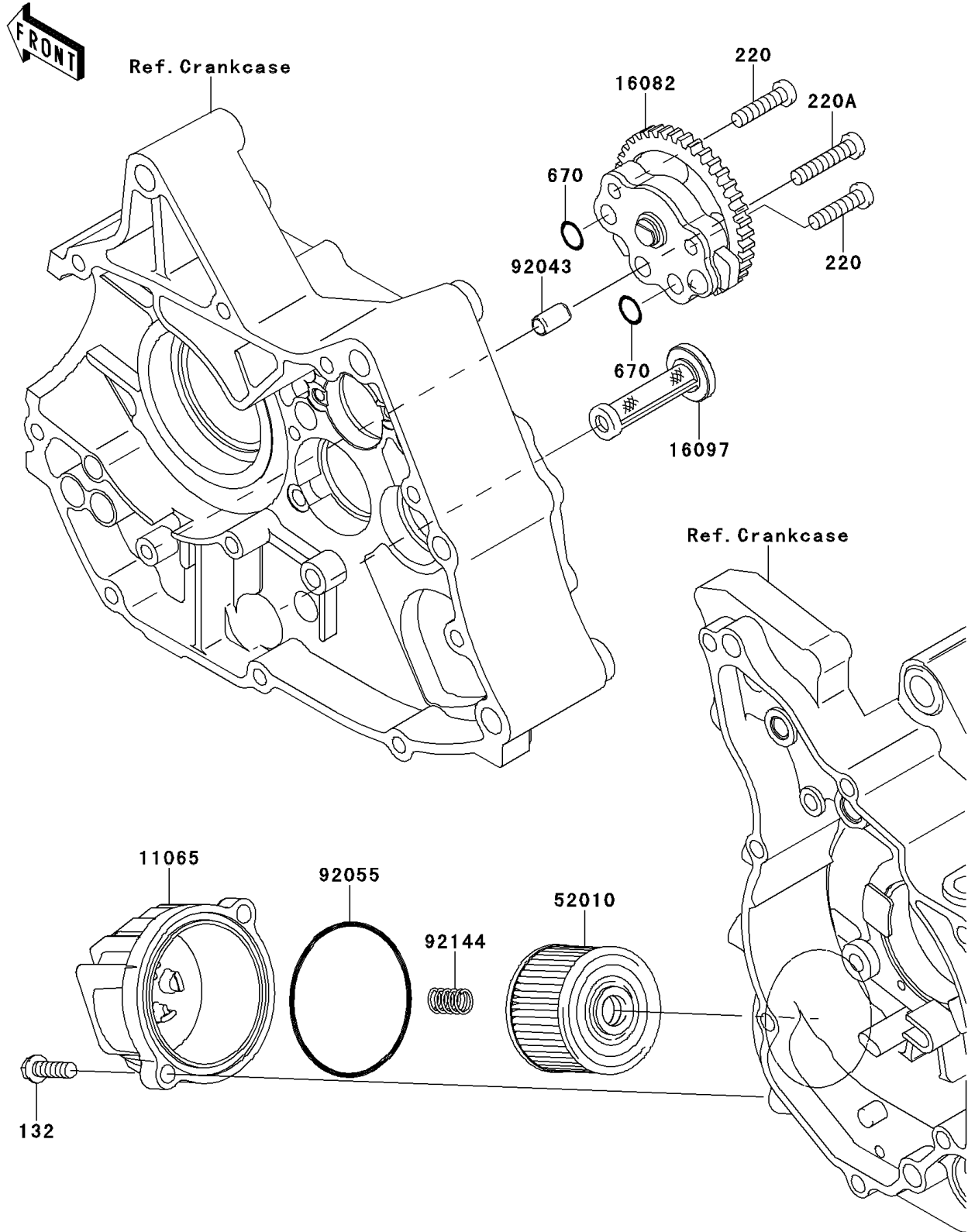


# 2012 EDGE VR PARTS DIAGRAM

Oil Pump

E1710



## 2012 EDGE VR PARTS LIST

### Oil Pump

ITEM NAME	PART NUMBER	QUANTITY
BOLT-FLANGED-SMALL,6X20 (Ref # 132)	132BA0620	2
SCREW-PAN-CROS,6X25 (Ref # 220)	220AA0625	2
SCREW-PAN-CROS,6X30 (Ref # 220A)	220AA0630	1
O RING,9.8X1.9 (Ref # 670)	670B1510	2
CAP,OIL FILTER (Ref # 11065)	11065-0710	1
PUMP-ASSY-OIL (Ref # 16082)	16082-0010	1
FILTER-ASSY-OIL (Ref # 16097)	16097-1071	1
ELEMENT-OIL FILTER (Ref # 52010)	52010-0552	1
PIN,6.2X8X14 (Ref # 92043)	92043-0099	1
RING-O (Ref # 92055)	92055-1708	1
SPRING (Ref # 92144)	92144-1892	1