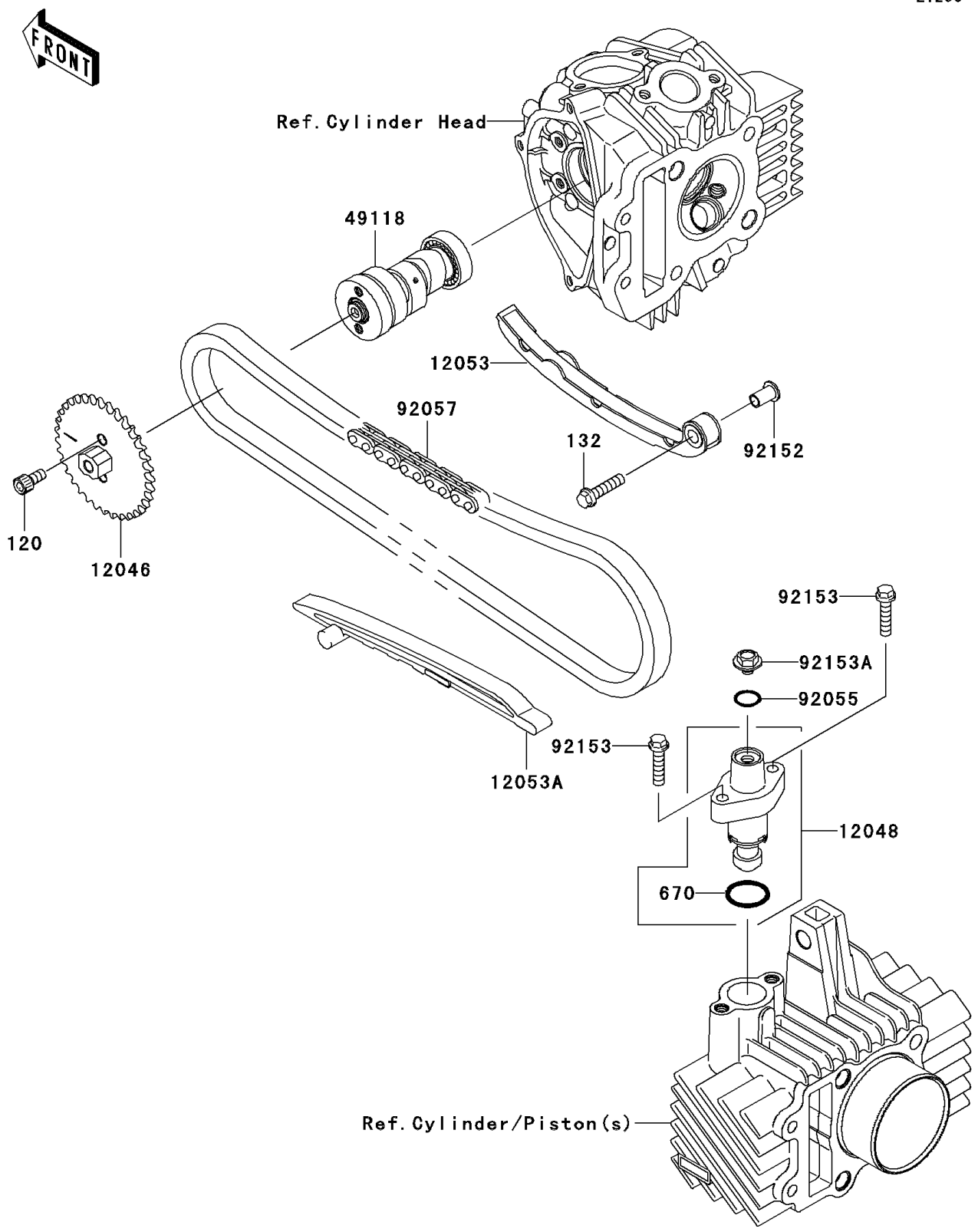


# 2010 Fury 125R PARTS DIAGRAM

Camshaft(s)/Tensioner

E1230



## 2010 Fury 125R PARTS LIST

Camshaft(s)/Tensioner

| ITEM NAME                            | PART NUMBER | QUANTITY |
|--------------------------------------|-------------|----------|
| BOLT-SOCKET,6X12 (Ref # 120)         | 120CA0612   | 2        |
| BOLT-FLANGED-SMALL,6X25 (Ref # 132)  | 132BA0625   | 1        |
| O RING,21MM (Ref # 670)              | 670D2021    | 1        |
| SPROCKET,CAM CHAIN,36T (Ref # 12046) | 12046-1206  | 1        |
| TENSIONER-ASSY (Ref # 12048)         | 12048-1164  | 1        |
| GUIDE-CHAIN,LOOSE (Ref # 12053)      | 12053-1397  | 1        |
| GUIDE-CHAIN (Ref # 12053A)           | 12053-1461  | 1        |
| CAMSHAFT-COMP (Ref # 49118)          | 49118-0124  | 1        |
| RING-O,9.8X2.4 (Ref # 92055)         | 92055-0060  | 1        |
| CHAIN,CAM (Ref # 92057)              | 92057-0120  | 1        |
| COLLAR,CHAIN GUIDE (Ref # 92152)     | 92152-1369  | 1        |
| BOLT,6X25 (Ref # 92153)              | 92153-1185  | 2        |
| BOLT,TENSIONER (Ref # 92153A)        | 92153-1945  | 1        |