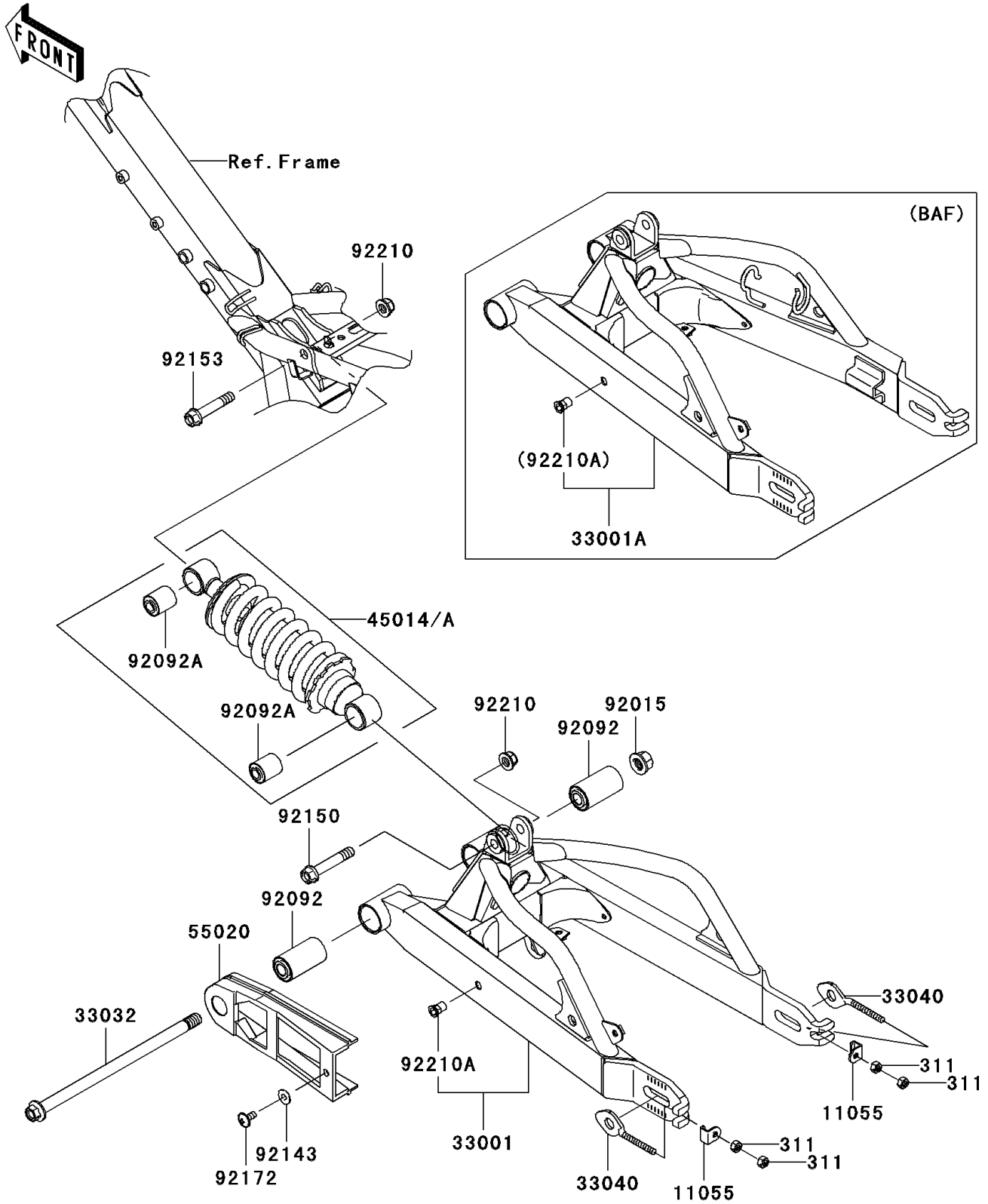


2010 Fury 125R PARTS DIAGRAM

Swingarm/Shock Absorber

F2140



2010 Fury 125R PARTS LIST

Swingarm/Shock Absorber

ITEM NAME	PART NUMBER	QUANTITY
NUT-HEX,6MM (Ref # 311)	311AA0600	4
BRACKET (Ref # 11055)	11055-1502	2
ARM-COMP-SWING,P.SILVER (Ref # 33001)	33001-0185-458	1
SHAFT-SWING ARM (Ref # 33032)	33032-0028	1
ADJUSTER-CHAIN (Ref # 33040)	33040-1006	2
SHOCKABSORBER,E.RED (Ref # 45014A)	45014-0313-20V	1
GUARD,CHAIN (Ref # 55020)	55020-0492	1
NUT,12MM (Ref # 92015)	92015-1426	1
BUSHING-RUBBER (Ref # 92092)	92092-0015	2
BUSHING-RUBBER (Ref # 92092A)	92092-1079	2
COLLAR (Ref # 92143)	92143-1087	1
BOLT,FLANGED,10X57 (Ref # 92150)	92150-1227	1
BOLT,FLANGED,10X52 (Ref # 92153)	92153-1864	1
SCREW,6X14 (Ref # 92172)	92172-0055	1
NUT,LOCK,FLANGED,10MM (Ref # 92210)	92210-0276	2
NUT,POP,6MM,L=15 (Ref # 92210A)	92210-1397	1