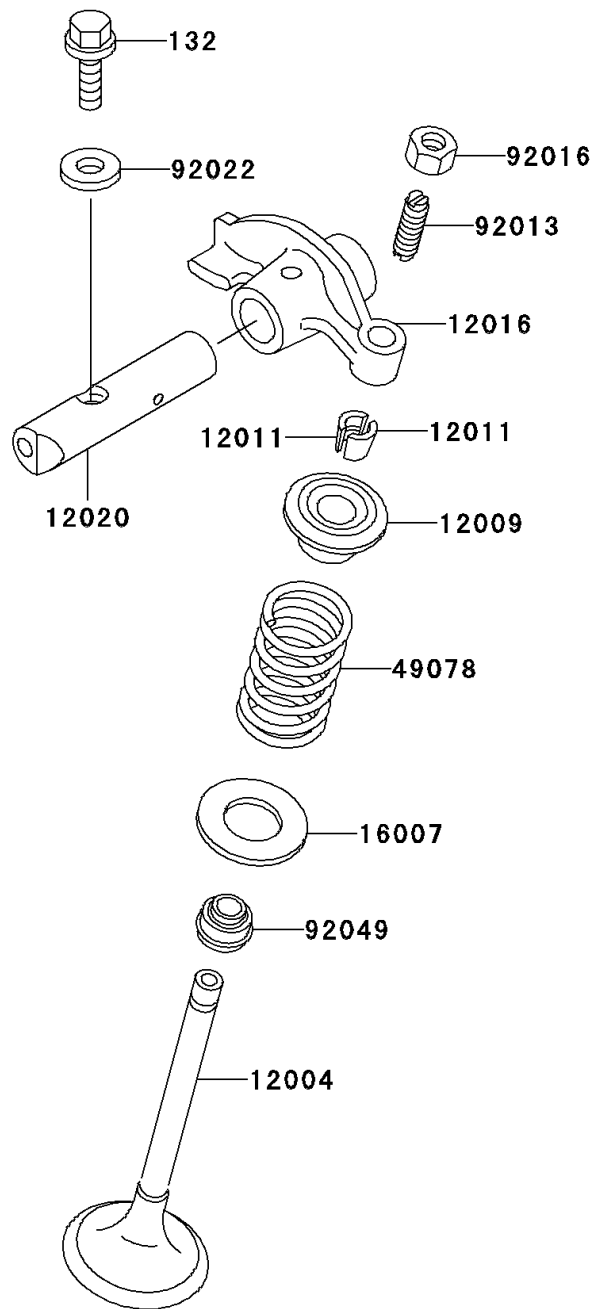
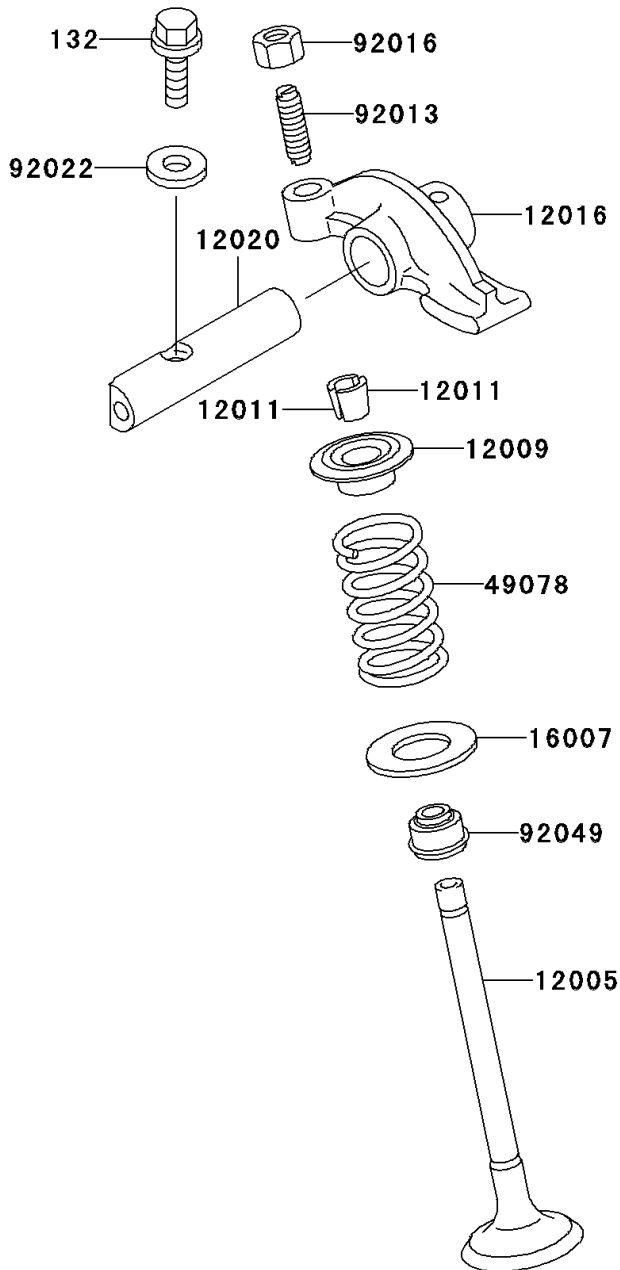


# 2001 Eliminator 125 PARTS DIAGRAM

Valve(s)

E1210



## 2001 Eliminator 125 PARTS LIST

Valve(s)

ITEM NAME	PART NUMBER	QUANTITY
BOLT-FLANGED-SMALL (Ref # 132)	132V0625	2
VALVE-INTAKE (Ref # 12004)	12004-1134	1
VALVE-EXHAUST (Ref # 12005)	12005-1262	1
RETAINER-VALVE SPRING,INTAKE (Ref # 12009)	12009-1074	2
COLLET (Ref # 12011)	12011-1053	4
ARM-ROCKER (Ref # 12016)	12016-1115	2
SHAFT-ROCKER (Ref # 12020)	12020-1074	2
SEAT-SPRING (Ref # 16007)	16007-1159	2
SPRING-ENGINE VALVE (Ref # 49078)	49078-1152	2
SCREW,6MM (Ref # 92013)	92013-009	2
NUT,6MM (Ref # 92016)	92016-061	2
WASHER,6.1X12X1 (Ref # 92022)	92022-077	2
SEAL-OIL (Ref # 92049)	92049-1349	2