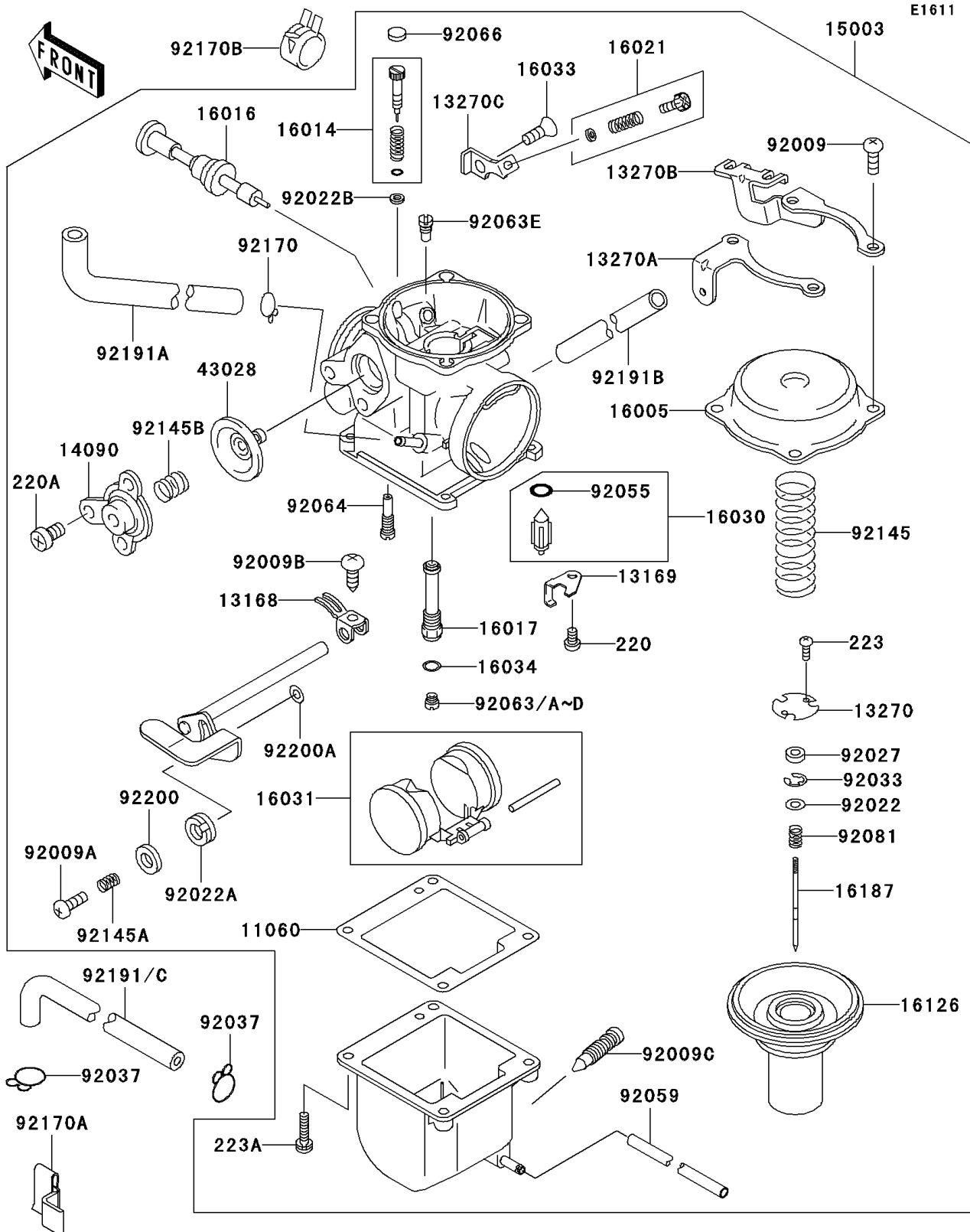


2002 Eliminator 125 PARTS DIAGRAM

Carburetor



2002 Eliminator 125 PARTS LIST

Carburetor

| ITEM NAME | PART NUMBER | QUANTITY |
|--|-------------|----------|
| GASKET,FLOAT CHAMBER (Ref # 11060) | 11060-1849 | 1 |
| LEVER,STARTER (Ref # 13168) | 13168-1642 | 1 |
| PLATE,FLOAT VALVE (Ref # 13169) | 13169-1482 | 1 |
| PLATE,VACUUM VALVE (Ref # 13270) | 13270-1981 | 1 |
| PLATE,LH (Ref # 13270A) | 13270-1982 | 1 |
| PLATE,RH (Ref # 13270B) | 13270-1983 | 1 |
| PLATE,THROTTLE STOP SCREW (Ref # 13270C) | 13270-1984 | 1 |
| COVER,AIR CUT VALVE (Ref # 14090) | 14090-1931 | 1 |
| CARBURETOR-ASSY (Ref # 15003) | 15003-1627 | 1 |
| TOP-CHAMBER (Ref # 16005) | 16005-1087 | 1 |
| SCREW-PILOT AIR (Ref # 16014) | 16014-1117 | 1 |
| PLUNGER (Ref # 16016) | 16016-1106 | 1 |
| JET-NEEDLE,O-8M (Ref # 16017) | 16017-1432 | 1 |
| SCREW-THROTTLE STOP (Ref # 16021) | 16021-1217 | 1 |
| VALVE-FLOAT (Ref # 16030) | 16030-1086 | 1 |
| FLOAT (Ref # 16031) | 16031-1094 | 1 |
| SCREW,5X8 (Ref # 16033) | 16033-024 | 1 |
| WASHER,MAIN JET (Ref # 16034) | 16034-001 | 1 |
| VALVE,VACUUM (Ref # 16126) | 16126-1352 | 1 |
| NEEDLE-JET,4C17 (Ref # 16187) | 16187-1188 | 1 |
| DIAPHRAGM,COASTING RICHER (Ref # 43028) | 43028-1026 | 1 |
| SCREW,PAN HEAD,5X10,BLACK (Ref # 92009) | 92009-1126 | 4 |
| SCREW,STARTER LEVER (Ref # 92009A) | 92009-1823 | 1 |
| SCREW,STARTER (Ref # 92009B) | 92009-1824 | 1 |
| SCREW,DRAIN (Ref # 92009C) | 92009-1826 | 1 |
| WASHER,JET NEEDLE (Ref # 92022) | 92022-1123 | 1 |
| WASHER,PLAIN,DURACON (Ref # 92022A) | 92022-1147 | 1 |
| WASHER,ADJUST SCREW (Ref # 92022B) | 92022-1187 | 1 |
| COLLAR,THROTTLE VALVE (Ref # 92027) | 92027-1103 | 1 |

2002 Eliminator 125 PARTS LIST

Carburetor

| ITEM NAME | PART NUMBER | QUANTITY |
|-------------------------------------|-------------|----------|
| RING-SNAP (Ref # 92033) | 92033-1290 | 1 |
| CLAMP (Ref # 92037) | 92037-1610 | 2 |
| RING-O (Ref # 92055) | 92055-1105 | 1 |
| TUBE,3X5X220,OVERFLOW (Ref # 92059) | 92059-1243 | 1 |
| JET-MAIN,#A127.5 (Ref # 92063) | 92063-1100 | 1 |
| JET-MAIN,#A122.5 (Ref # 92063A) | 92063-1101 | 1 |
| JET-MAIN,#A125 (Ref # 92063B) | 92063-1102 | 1 |
| JET-MAIN,#A130 (Ref # 92063C) | 92063-1103 | 1 |
| SCREW-PAN-CROS,4X6 (Ref # 220) | 220B0406 | 1 |
| SCREW-PAN-CROS (Ref # 220A) | 220D0410 | 3 |
| SCREW-PAN-WS-CROS (Ref # 223) | 223B0307 | 2 |
| SCREW-PAN-WS-CROS (Ref # 223A) | 223B0414 | 4 |
| JET-MAIN,#A120 (Ref # 92063D) | 92063-1106 | 1 |
| JET,#70 (Ref # 92063E) | 92063-2059 | 1 |
| JET-PILOT,#32.5 (Ref # 92064) | 92064-1230 | 1 |
| PLUG,PILOT AIR SCREW (Ref # 92066) | 92066-1501 | 1 |
| SPRING,JET NEEDLE (Ref # 92081) | 92081-1126 | 1 |
| SPRING,VACUUM VALVE (Ref # 92145) | 92145-1124 | 1 |
| SPRING,STARTER LEVER (Ref # 92145A) | 92145-1125 | 1 |
| SPRING,AIR CUT VALVE (Ref # 92145B) | 92145-1127 | 1 |
| CLAMP (Ref # 92170) | 92170-1818 | 1 |
| CLAMP (Ref # 92170A) | 92170-1936 | 1 |
| CLAMP (Ref # 92170B) | 92170-2043 | 1 |
| TUBE (Ref # 92191A) | 92191-1244 | 1 |
| TUBE,5X8X300 (Ref # 92191B) | 92191-1245 | 1 |
| WASHER,STARTER LEVER (Ref # 92200) | 92200-1397 | 1 |
| WASHER,STARTER LEVER (Ref # 92200A) | 92200-1398 | 1 |
| TUBE,L=115 (Ref # 92191) | 92191-1210 | 1 |
| TUBE,L=66.8 (Ref # 92191C) | 92191-1623 | 1 |