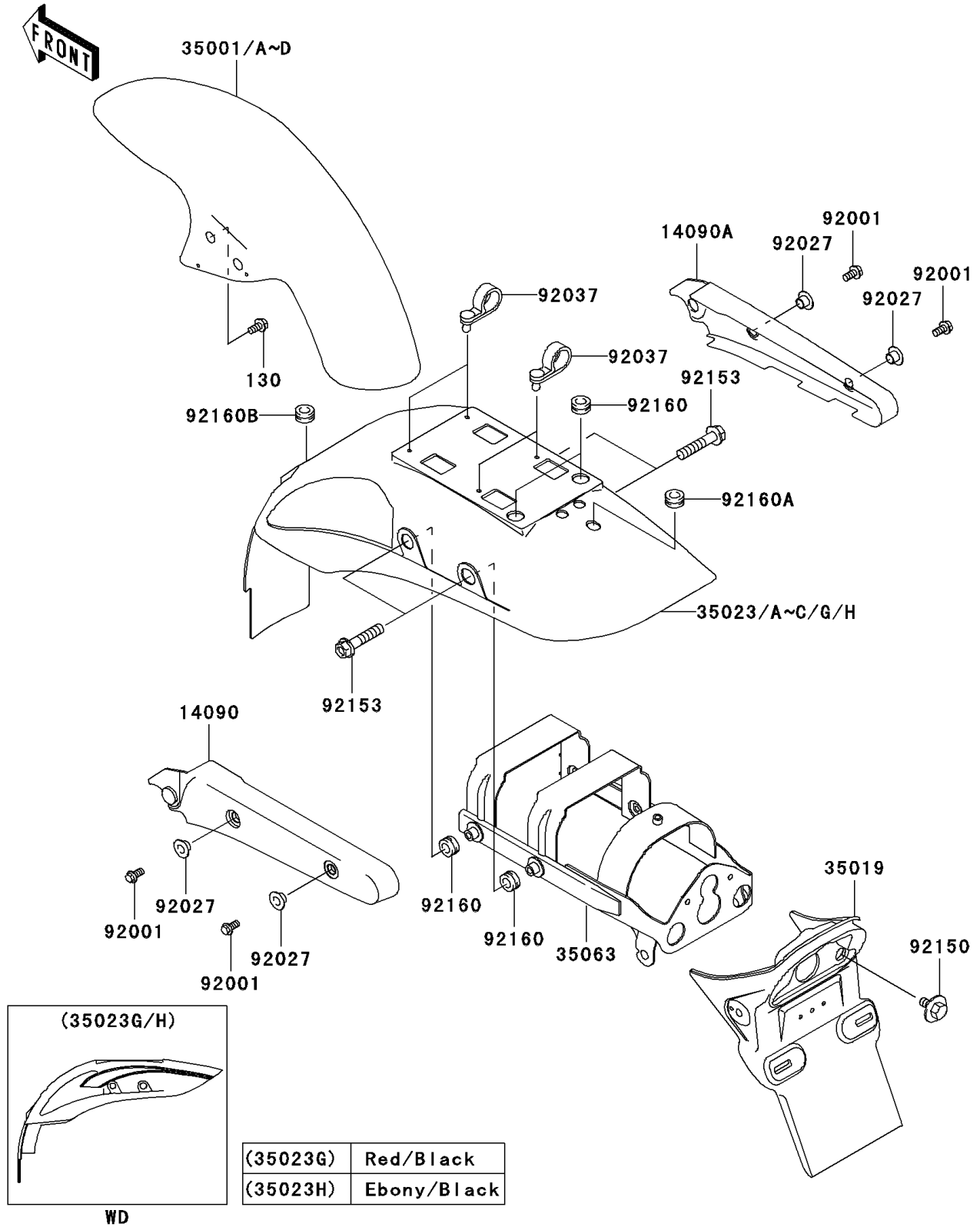


2005 Eliminator 125 PARTS DIAGRAM

Fenders

F2170



2005 Eliminator 125 PARTS LIST

Fenders

ITEM NAME	PART NUMBER	QUANTITY
BOLT-FLANGED,8X16,BLACK (Ref # 130)	130J0816	4
COVER,REAR FENDER,LH (Ref # 14090)	14090-1836	1
COVER,REAR FENDER,RH (Ref # 14090A)	14090-1837	1
FENDER-ASSY-FRONT,M.C.BLACK (Ref # 35001C)	35001-1192-167	1
FLAP (Ref # 35019)	35019-1382	1
FENDER-REAR,M.C.BLACK (Ref # 35023A)	35023-1496-167	1
STAY,REAR FENDER (Ref # 35063)	35063-1145	1
BOLT,8X16 (Ref # 92001)	92001-1897	4
COLLAR (Ref # 92027)	92027-1745	4
CLAMP,SPEED,L=58 (Ref # 92037)	92037-1163	4
BOLT,6X14 (Ref # 92150)	92150-1133	2
BOLT,FLANGED,8X38 (Ref # 92153)	92153-1074	4
DAMPER (Ref # 92160)	92160-1847	6
DAMPER (Ref # 92160A)	92160-1864	1
DAMPER (Ref # 92160B)	92160-1893	1