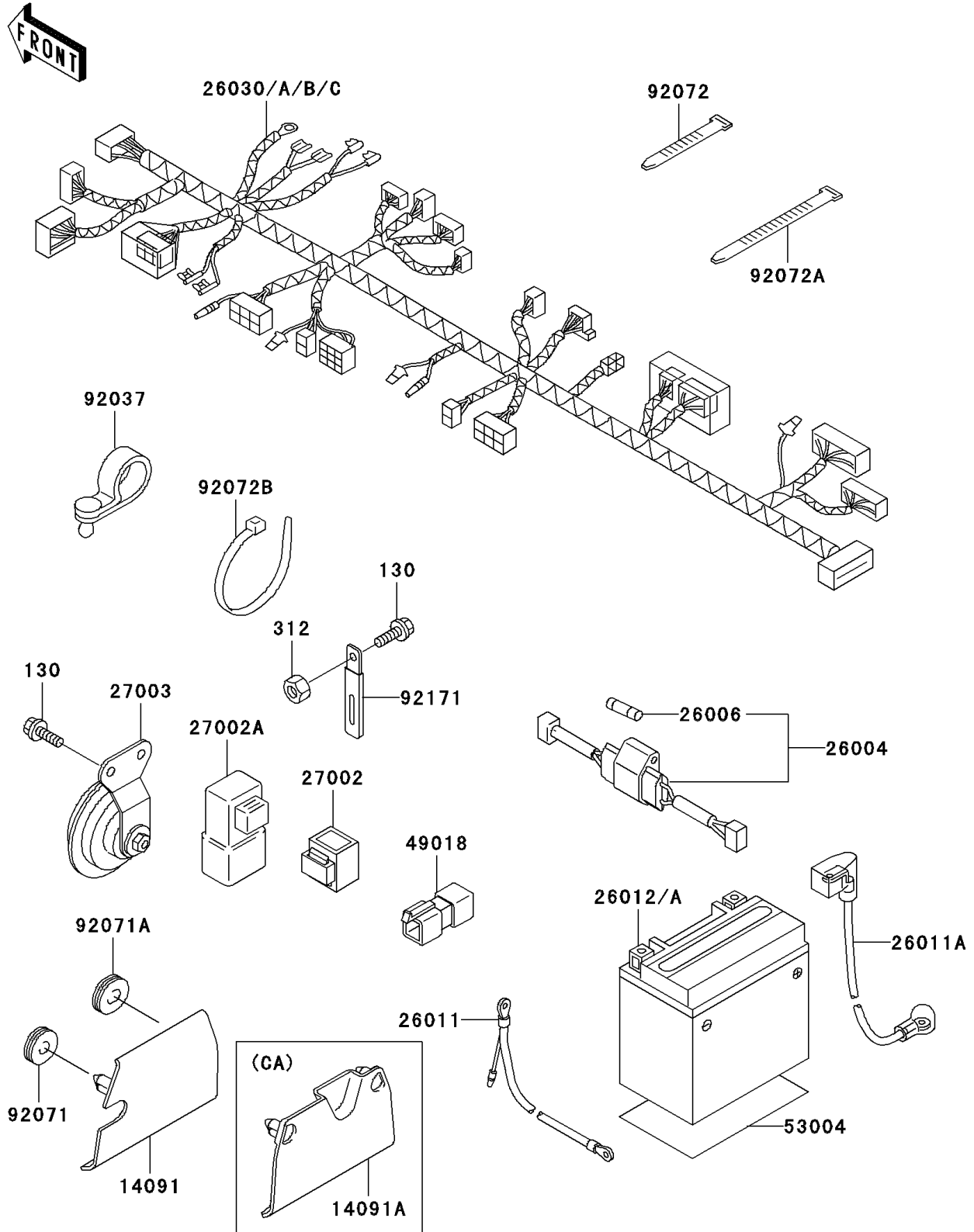


# 2005 Eliminator 125 PARTS DIAGRAM

Chassis Electrical Equipment

F2760



## 2005 Eliminator 125 PARTS LIST

### Chassis Electrical Equipment

ITEM NAME	PART NUMBER	QUANTITY
BOLT-FLANGED (Ref # 130)	130J0612	3
NUT-HEX,6MM,BLACK (Ref # 312)	312C0600	1
FUSE-ASSY (Ref # 26004)	26004-1113	1
FUSE,15A,L=30 (Ref # 26006)	26006-1003	3
WIRE-LEAD,BATTERY(-) (Ref # 26011)	26011-1670	1
WIRE-LEAD,BATTERY(+) (Ref # 26011A)	26011-1674	1
BATTERY,FB9-B,12V 9AH (Ref # 26012)	26012-0051	1
BATTERY,YB9-B,12V 9AH (Ref # 26012A)	26012-1361	1
RELAY-ASSY,TURN SIGNAL (Ref # 27002)	27002-1053	1
RELAY-ASSY (Ref # 27002A)	27002-1086	1
HORN (Ref # 27003)	27003-1423	1
DIODE (Ref # 49018)	49018-1052	1
MAT,BATTERY (Ref # 53004)	53004-1123	1
CLAMP,SPEED,L=58 (Ref # 92037)	92037-1163	3
GROMMET (Ref # 92071)	92071-056	1
GROMMET (Ref # 92071A)	92071-1043	1
BAND,L=123 (Ref # 92072)	92072-030	2
BAND,L=202 (Ref # 92072A)	92072-1195	8
BAND,L=365 (Ref # 92072B)	92072-1197	4
CLAMP,WIRING HARNESS,L=60 (Ref # 92171)	92171-1425	1
COVER,HEAD GUSSET (Ref # 14091)	14091-1123	1
COVER,HEAD GUSSET (Ref # 14091A)	14091-1405	1
HARNESS,MAIN (Ref # 26030B)	26030-1992	1
HARNESS,MAIN (Ref # 26030C)	26030-1993	1