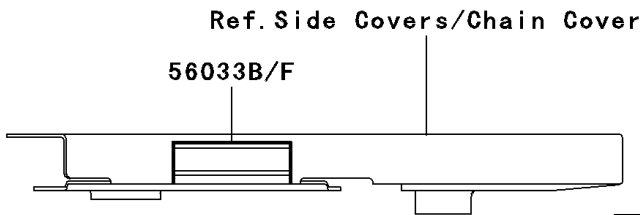
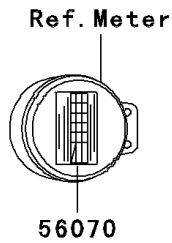
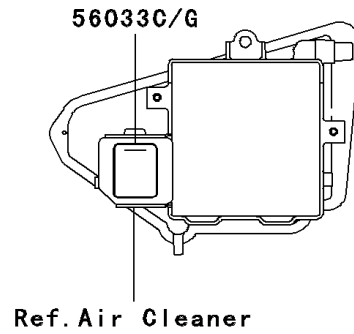
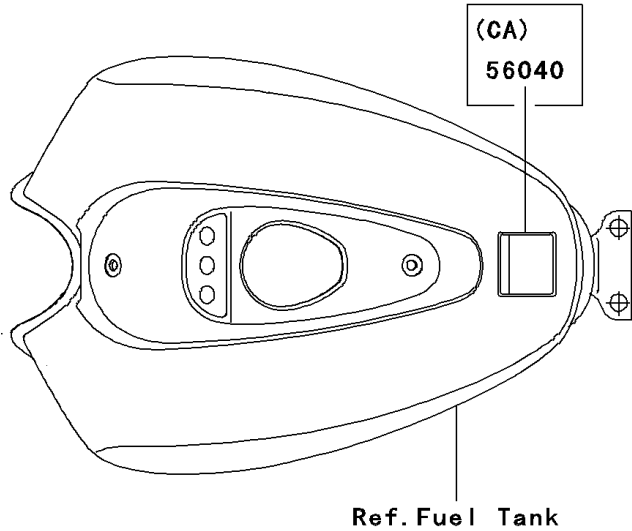


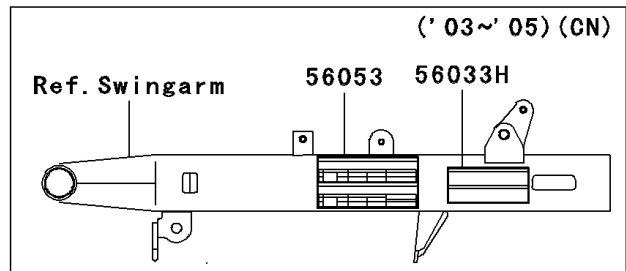
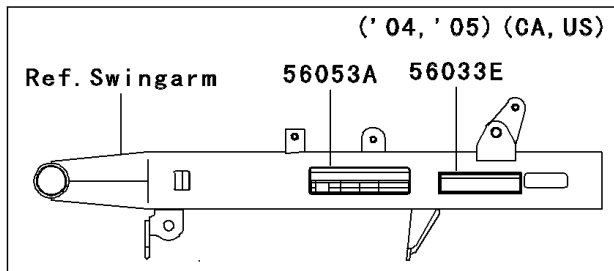
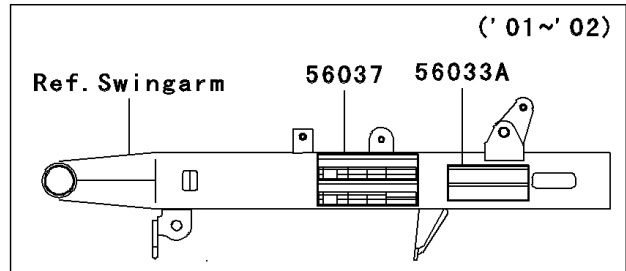
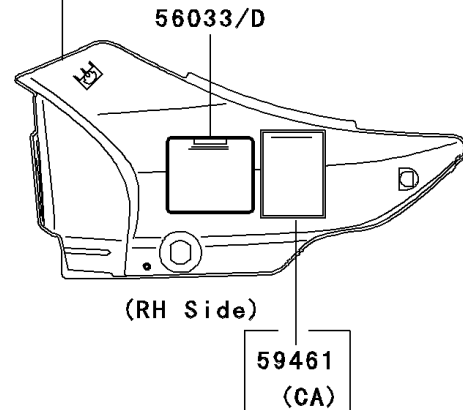
2003 Eliminator 125 (Canada Only) PARTS DIAGRAM

Labels

F2860



Ref. Side Covers/Chain Cover



2003 Eliminator 125 (Canada Only) PARTS LIST

Labels

| ITEM NAME | PART NUMBER | QUANTITY |
|---|-------------|----------|
| LABEL-MANUAL,DAILY SAFETY (Ref # 56033) | 56033-1076 | 1 |
| LABEL-MANUAL,CHAIN (Ref # 56033B) | 56033-1078 | 1 |
| LABEL-MANUAL,BATTERY VENT (Ref # 56033C) | 56033-1089 | 1 |
| LABEL-MANUAL,DAILY SAFETY(FREN (Ref # 56033D) | 56033-1295 | 1 |
| LABEL-MANUAL,OIL&OIL FILTER (Ref # 56033H) | 56033-1352 | 1 |
| LABEL-SPECIFICATION,TIRE&LOAD (Ref # 56053) | 56053-1053 | 1 |
| LABEL-WARNING,CAUTION (Ref # 56070) | 56070-1221 | 1 |