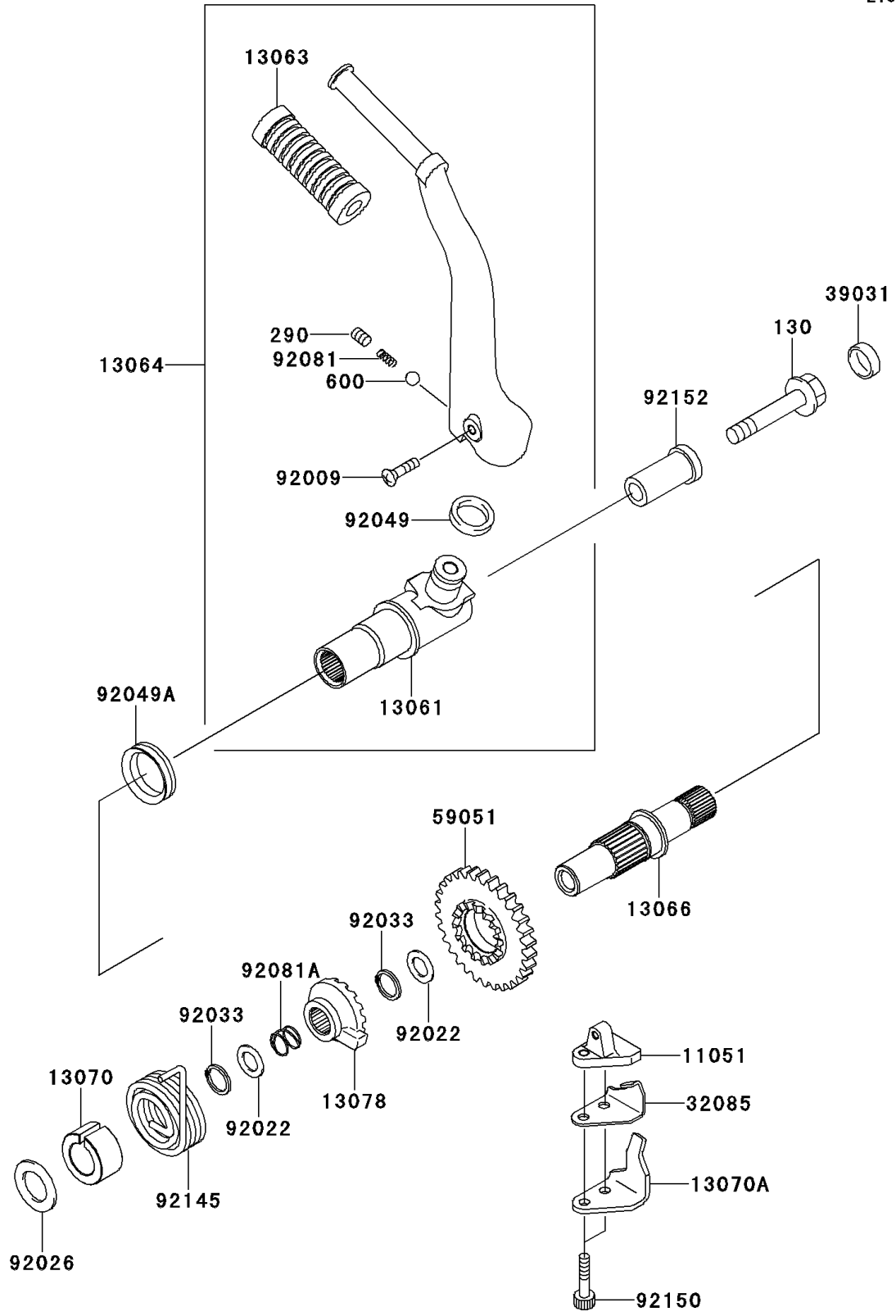


2000 W650 PARTS DIAGRAM

Kickstarter Mechanism

E1340



2000 W650 PARTS LIST

Kickstarter Mechanism

ITEM NAME	PART NUMBER	QUANTITY
BOLT-FLANGED (Ref # 130)	130T1070	1
SCREW-SET-SOCKET (Ref # 290)	290P0812	1
BALL-STEEL,1/4" (Ref # 600)	600A0800	1
BRACKET (Ref # 11051)	11051-1210	1
BOSS,KICK PEDAL (Ref # 13061)	13061-1728	1
DAMPER,KICK PEDAL (Ref # 13063)	13063-004	1
LEVER-ASSY-KICK,PEDAL (Ref # 13064)	13064-1192	1
SHAFT-KICK (Ref # 13066)	13066-1102	1
GUIDE,RETURN SPRING (Ref # 13070)	13070-1334	1
GUIDE (Ref # 13070A)	13070-1335	1
RATCHET (Ref # 13078)	13078-1051	1
STOPPER (Ref # 32085)	32085-1488	1
CAP-END (Ref # 39031)	39031-1061	1
GEAR-SPUR,KICK SHAFT (Ref # 59051)	59051-1376	1
SCREW,6X30 (Ref # 92009)	92009-1590	1
WASHER,25.3X30X0.5 (Ref # 92022)	92022-159	2
SPACER,KICK GUIDE (Ref # 92026)	92026-1537	1
RING-SNAP,24MM (Ref # 92033)	92033-026	2
SEAL-OIL (Ref # 92049)	92049-1406	1
SEAL-OIL (Ref # 92049A)	92049-1505	1
SPRING,KICK PEDAL (Ref # 92081)	92081-020	1
SPRING (Ref # 92081A)	92081-097	1
SPRING,KICK RETURN (Ref # 92145)	92145-1219	1
BOLT,SOCKET,6X40 (Ref # 92150)	92150-1653	2
COLLAR,KICKSTARTER (Ref # 92152)	92152-1145	1