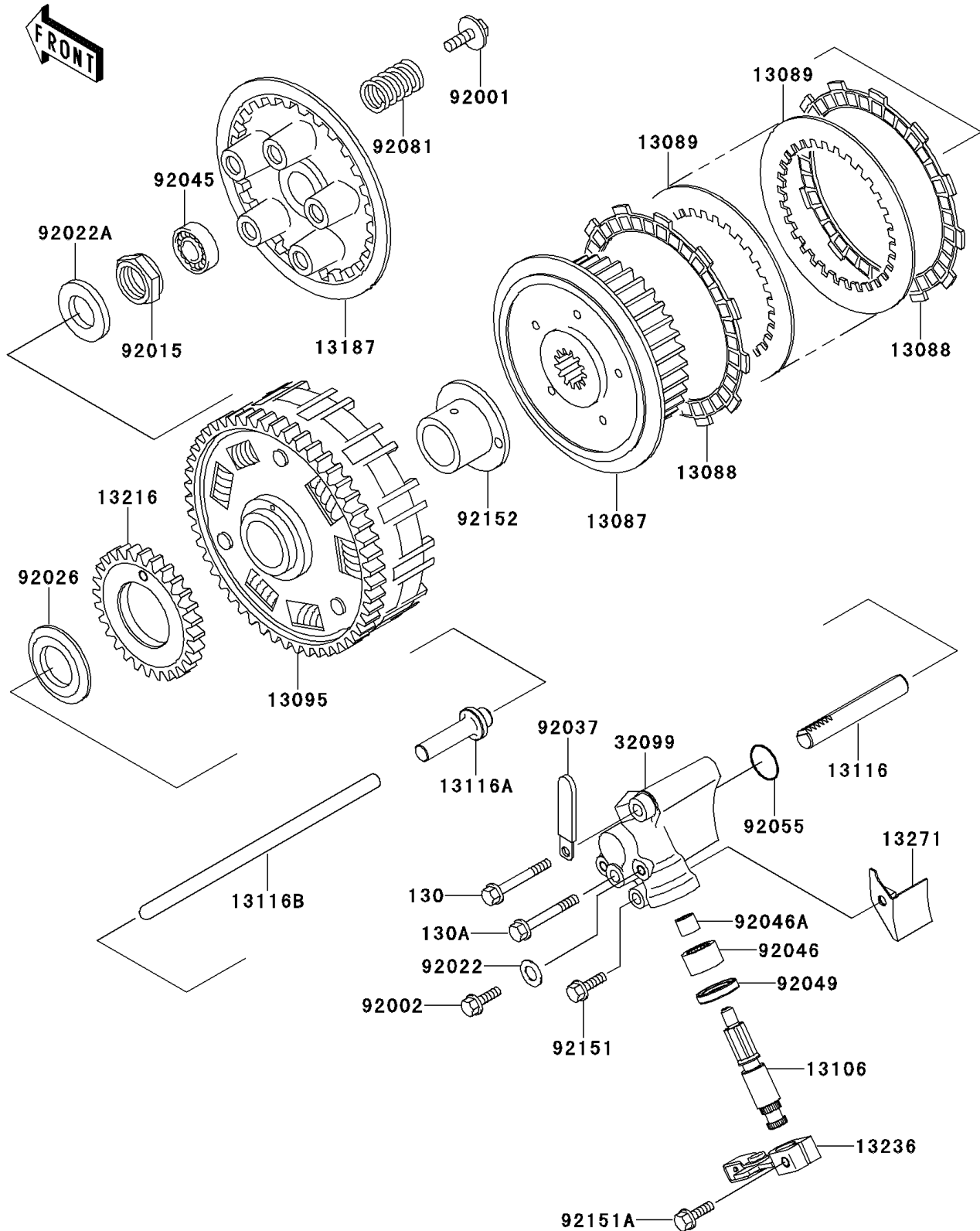


2002 W650 (Canada Only) PARTS DIAGRAM

Clutch

E1350



2002 W650 (Canada Only) PARTS LIST

Clutch

| ITEM NAME | PART NUMBER | QUANTITY |
|---|-------------|----------|
| BOLT-FLANGED (Ref # 130) | 130Z0670 | 1 |
| BOLT-FLANGED (Ref # 130A) | 130Z0680 | 1 |
| HUB-CLUTCH (Ref # 13087) | 13087-042 | 1 |
| PLATE-FRICTION (Ref # 13088) | 13088-1133 | 8 |
| PLATE-CLUTCH (Ref # 13089) | 13089-027 | 7 |
| HOUSING-COMP-CLUTCH (Ref # 13095) | 13095-1378 | 1 |
| SHAFT-CLUTCH RELEASE (Ref # 13106) | 13106-1068 | 1 |
| ROD-PUSH,RELEASE POSITION (Ref # 13116) | 13116-1163 | 1 |
| ROD-PUSH,CLUTCH POSITION (Ref # 13116A) | 13116-1164 | 1 |
| ROD-PUSH,MIDDLE POSITION (Ref # 13116B) | 13116-1165 | 1 |
| PLATE-CLUTCH OPERATING (Ref # 13187) | 13187-1006 | 1 |
| GEAR-COMP,OIL PUMP (Ref # 13216) | 13216-1177 | 1 |
| LEVER-COMP,CLUTCH RELEASE (Ref # 13236) | 13236-1331 | 1 |
| PLATE (Ref # 13271) | 13271-1179 | 1 |
| CASE,CLUTCH RELEASE (Ref # 32099) | 32099-1204 | 1 |
| BOLT,FLANGED,6X18 (Ref # 92001) | 92001-1066 | 5 |
| BOLT (Ref # 92002) | 92002-1357 | 1 |
| NUT,20MM (Ref # 92015) | 92015-1555 | 1 |
| WASHER,6.1X12X1 (Ref # 92022) | 92022-077 | 1 |
| WASHER (Ref # 92022A) | 92022-1868 | 1 |
| SPACER (Ref # 92026) | 92026-1242 | 1 |
| CLAMP,L=45 (Ref # 92037) | 92037-1539 | 1 |
| BEARING-BALL,6001C3ML01 (Ref # 92045) | 92045-1235 | 1 |
| BEARING-NEEDLE,7E-HK1412 (Ref # 92046) | 92046-037 | 1 |
| BEARING-NEEDLE,HK0709 (Ref # 92046A) | 92046-1142 | 1 |
| SEAL-OIL,TC14245 (Ref # 92049) | 92049-1520 | 1 |
| RING-O,16.8X1.9 (Ref # 92055) | 92055-1598 | 1 |
| SPRING,CLUTCH (Ref # 92081) | 92081-1864 | 5 |
| BOLT,6X40 (Ref # 92151) | 92151-1131 | 1 |

2002 W650 (Canada Only) PARTS LIST

Clutch

| ITEM NAME | PART NUMBER | QUANTITY |
|----------------------------------|-------------|----------|
| BOLT,6X20 (Ref # 92151A) | 92151-1226 | 1 |
| COLLAR,CLUTCH GEAR (Ref # 92152) | 92152-1146 | 1 |