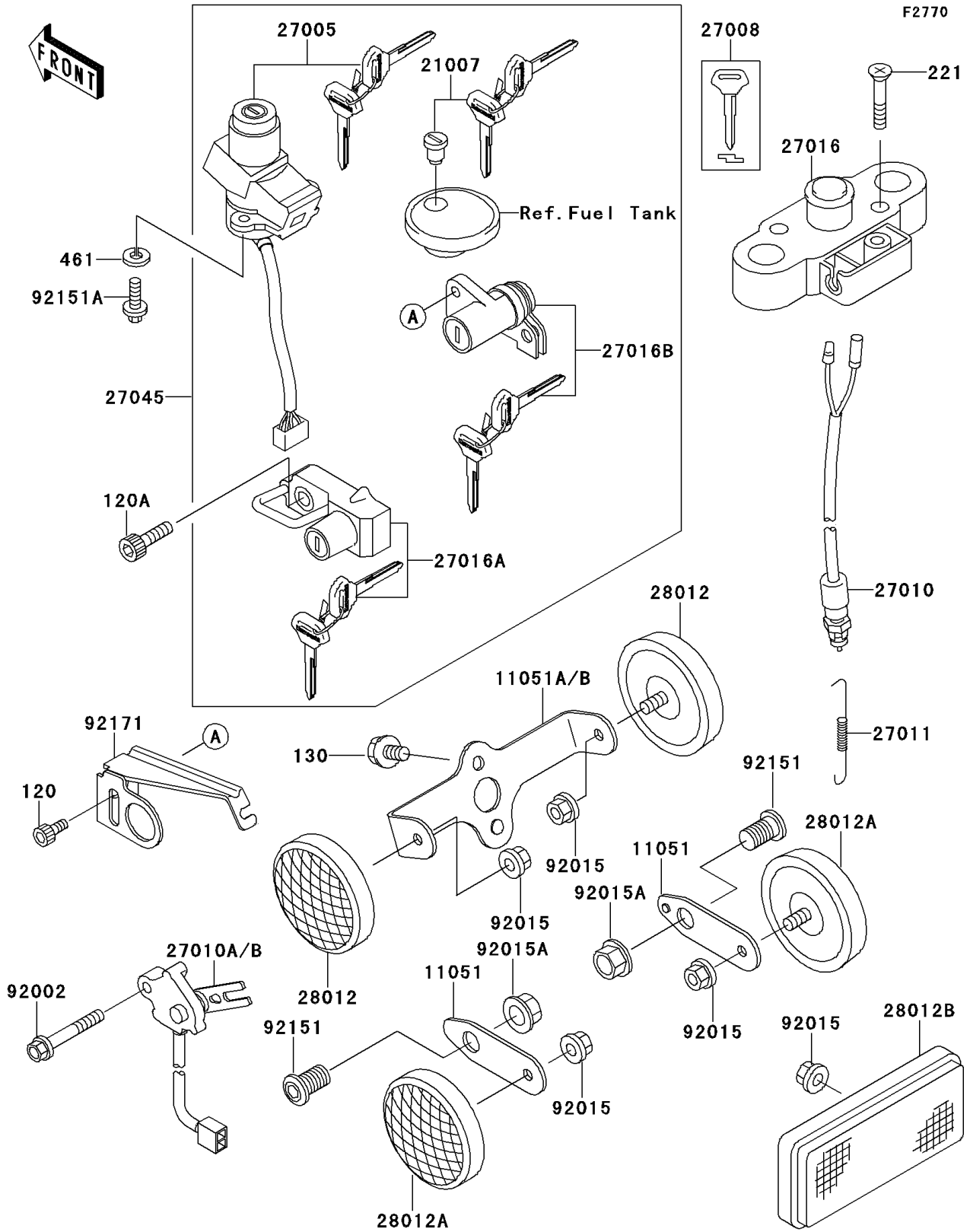


2000 W650 PARTS DIAGRAM

Ignition Switch/Locks/Reflectors



2000 W650 PARTS LIST

Ignition Switch/Locks/Reflectors

ITEM NAME	PART NUMBER	QUANTITY
BOLT-SOCKET (Ref # 120)	120S0512	2
BOLT-SOCKET,6X16,BLACK (Ref # 120A)	120S0616	1
BOLT-FLANGED (Ref # 130)	130J0610	1
SCREW-CSK-CROS,6X30 (Ref # 221)	221C0630	2
WASHER-SPRING (Ref # 461)	461L0600	2
BRACKET,REFLECTOR,RR (Ref # 11051)	11051-1274	2
BRACKET,REFLECTOR,FR (Ref # 11051A)	11051-1386	1
ROTOR,LOCK,TANK CAP (Ref # 21007)	21007-5043	1
SWITCH-ASSY-IGNITION (Ref # 27005)	27005-5114	1
KEY-LOCK,BLANK (Ref # 27008)	27008-1189	1
SWITCH,REAR BRAKE (Ref # 27010)	27010-1399	1
SWITCH,SIDE STAND (Ref # 27010A)	27010-1409	1
SPRING,BRAKE LAMP SWITCH (Ref # 27011)	27011-011	1
LOCK-ASSY,SEAT STRIKER (Ref # 27016)	27016-1098	1
LOCK-ASSY,HELMET (Ref # 27016A)	27016-5247	1
LOCK-ASSY,SEAT (Ref # 27016B)	27016-5256	1
SWITCH-ASSY (Ref # 27045)	27045-5106	1
REFLECTOR-REFLEX,FR (Ref # 28012)	28012-016	2
REFLECTOR-REFLEX (Ref # 28012A)	28012-1067	2
REFLECTOR-REFLEX (Ref # 28012B)	28012-1077	1
BOLT,6X40 (Ref # 92002)	92002-1080	1
NUT,FLANGED,5MM (Ref # 92015)	92015-1259	5
NUT,FLANGED,10MM (Ref # 92015A)	92015-1428	2
BOLT,SOCKET,10X16 (Ref # 92151)	92151-1571	2
BOLT,TORX,6X16 (Ref # 92151A)	92151-1911	2
CLAMP (Ref # 92171)	92171-1072	1