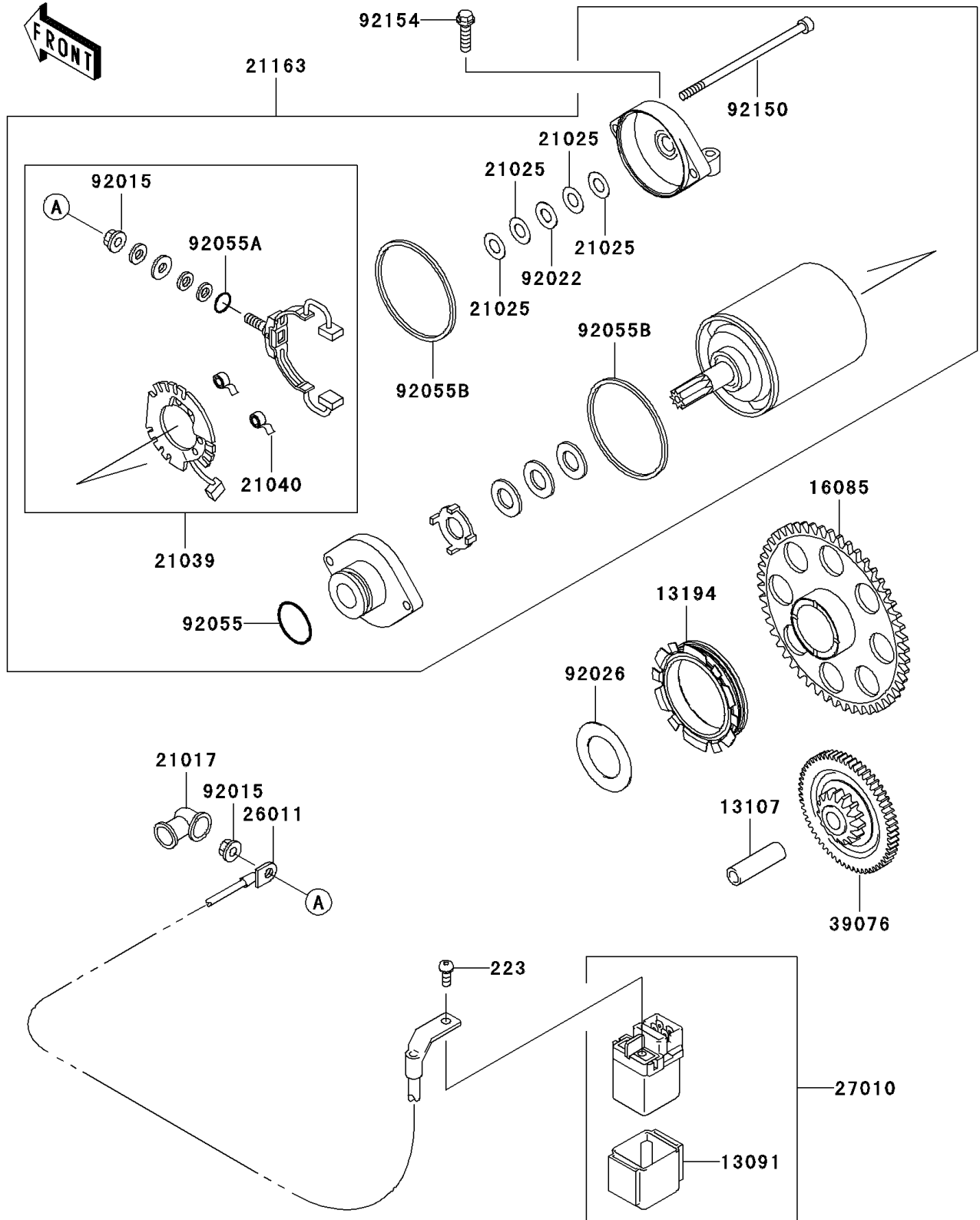


# 2012 W800 (European) PARTS DIAGRAM

Starter Motor

E1840



## 2012 W800 (European) PARTS LIST

### Starter Motor

| ITEM NAME                              | PART NUMBER | QUANTITY |
|--|-------------|----------|
| SCREW-PAN-WS-CROS,5X10 (Ref # 223)     | 223AA0510   | 2        |
| HOLDER,SWITCH (Ref # 13091)            | 13091-1883  | 1        |
| SHAFT,IDLE GEAR (Ref # 13107)          | 13107-1106  | 1        |
| CLUTCH-ONEWAY (Ref # 13194)            | 13194-0015  | 1        |
| GEAR,ONEWAY CLUTCH (Ref # 16085)       | 16085-1318  | 1        |
| GROMMET,STARTER TERMINAL (Ref # 21017) | 21017-017   | 1        |
| WASHER,9.1X18X0.2 (Ref # 21025)        | 21025-011   | AR       |
| BRUSH,CARBON (Ref # 21039)             | 21039-1060  | 1        |
| SPRING-BRUSH (Ref # 21040)             | 21040-1055  | 4        |
| STARTER-ELECTRIC (Ref # 21163)         | 21163-1263  | 1        |
| WIRE-LEAD,STARTER MOTOR (Ref # 26011)  | 26011-1737  | 1        |
| SWITCH,MAGNETIC (Ref # 27010)          | 27010-1347  | 1        |
| LIMITER,STARTER GEAR (Ref # 39076)     | 39076-1073  | 1        |
| NUT,STARTER MOTOR (Ref # 92015)        | 92015-1476  | 2        |
| WASHER,9.1X18X0.8 (Ref # 92022)        | 92022-1132  | 1        |
| SPACER,29.1X47.5X1.2 (Ref # 92026)     | 92026-087   | 1        |
| RING-O (Ref # 92055)                   | 92055-1276  | 1        |
| RING-O,4.5X2.0 (Ref # 92055A)          | 92055-1370  | 1        |
| RING-O,STARTER MOTOR (Ref # 92055B)    | 92055-1381  | 2        |
| BOLT,STARTER MOTOR (Ref # 92150)       | 92150-1913  | 2        |
| BOLT,FLANGED,6X22 (Ref # 92154)        | 92154-0504  | 2        |