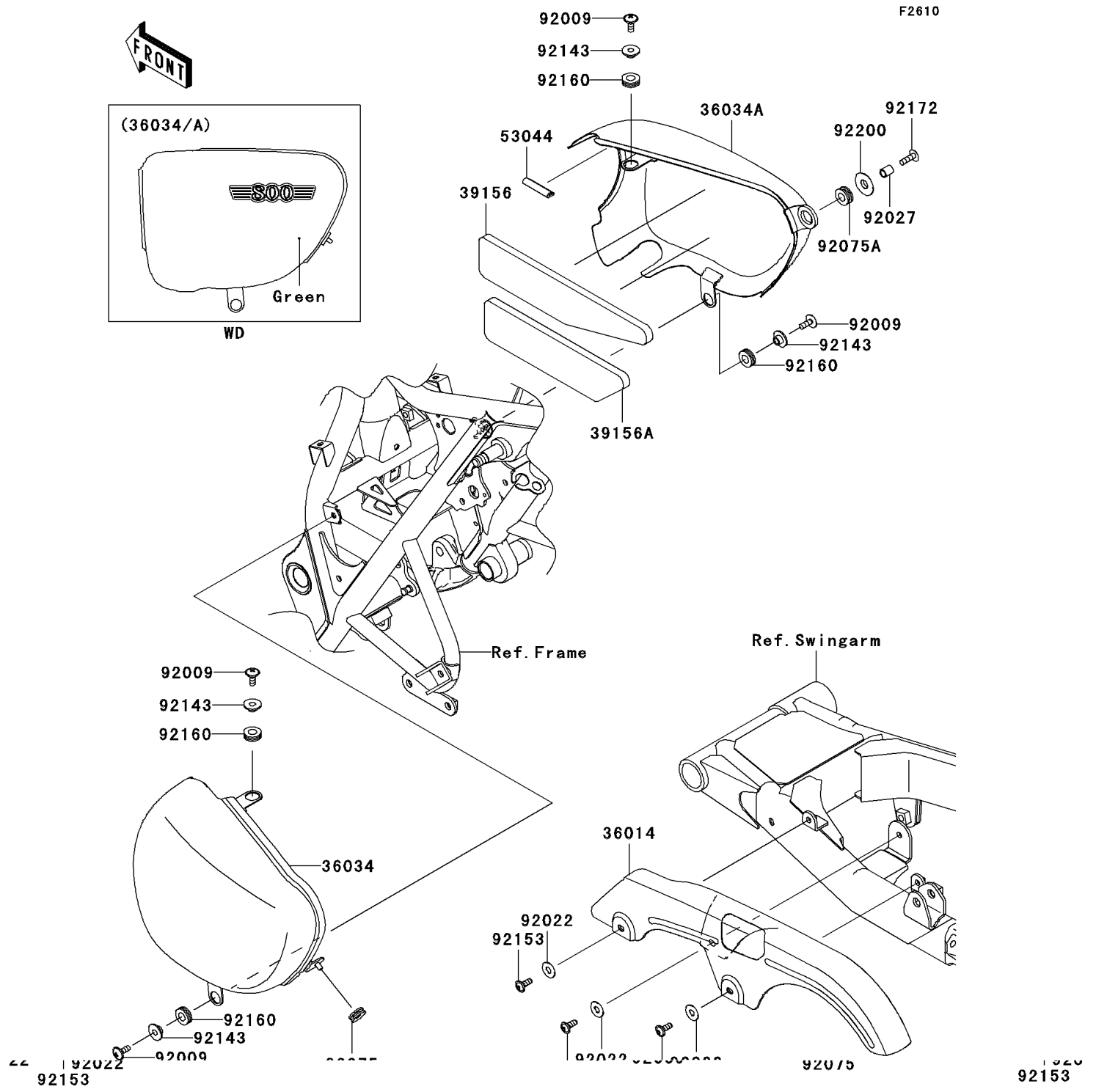


2011 W800 (European) PARTS DIAGRAM

Side Covers/Chain Cover(ABF-ACF)



2011 W800 (European) PARTS LIST

Side Covers/Chain Cover(ABF-ACF)

ITEM NAME	PART NUMBER	QUANTITY
CASE-CHAIN (Ref # 36014)	36014-0553	1
COVER-SIDE,LH,M.D.GREEN (Ref # 36034)	36034-5288-727	1
COVER-SIDE,RH,M.D.GREEN (Ref # 36034A)	36034-5289-727	1
PAD,SIDE COVER,RH,UPP (Ref # 39156)	39156-0675	1
PAD,SIDE COVER,RH,LWR (Ref # 39156A)	39156-0676	1
TRIM,L=40 (Ref # 53044)	53044-1320	1
SCREW,6X16 (Ref # 92009)	92009-1621	4
WASHER,6.5X16X1.0 (Ref # 92022)	92022-1093	3
COLLAR,6.8X10X12 (Ref # 92027)	92027-162	1
DAMPER (Ref # 92075)	92075-1629	1
DAMPER (Ref # 92075A)	92075-1634	1
COLLAR,L=7.4 (Ref # 92143)	92143-1019	4
BOLT,SOCKET,6X16 (Ref # 92153)	92153-0817	3
DAMPER (Ref # 92160)	92160-1278	4
SCREW,6X20 (Ref # 92172)	92172-0399	1
WASHER (Ref # 92200)	92200-1153	1