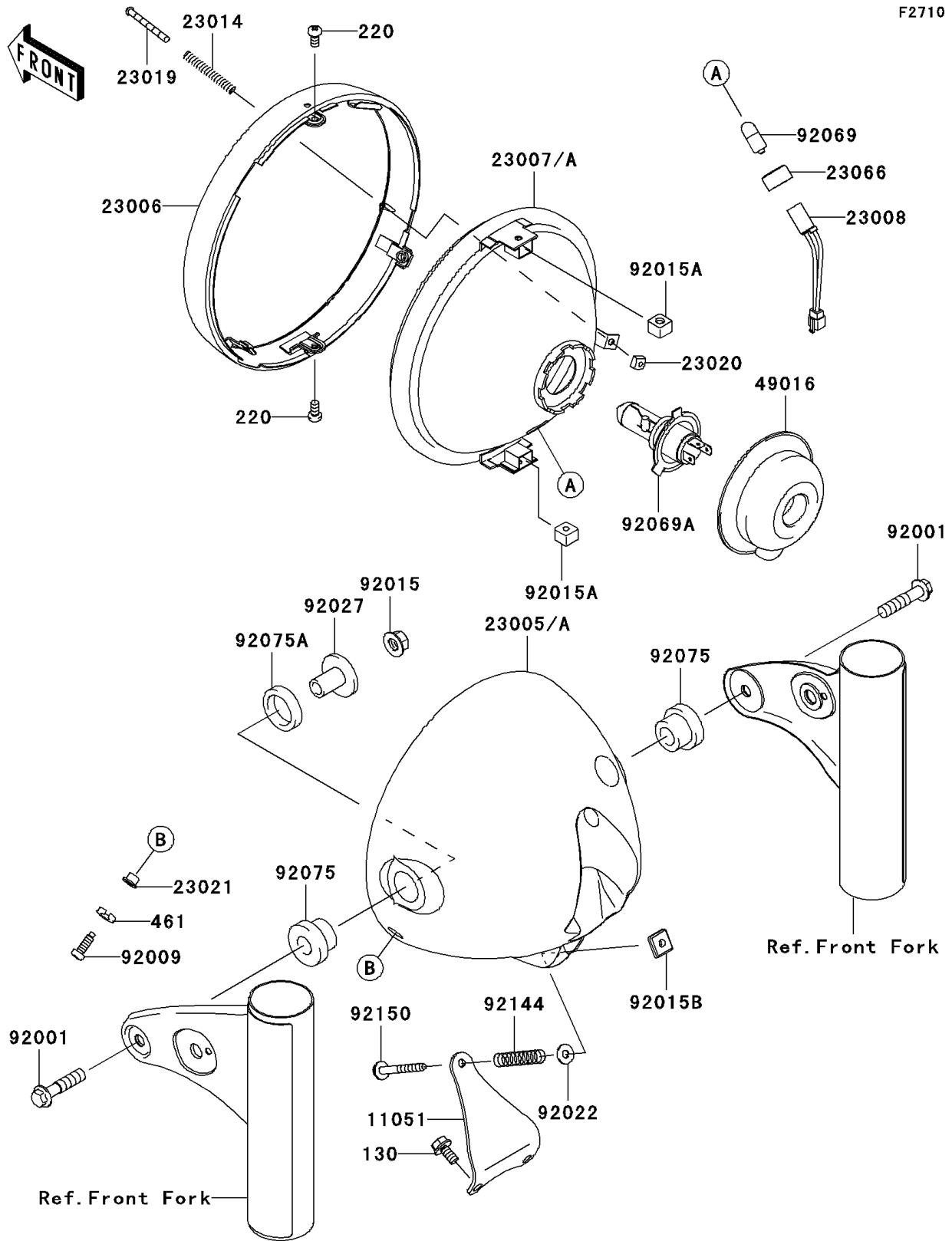


2011 W800 (European) PARTS DIAGRAM

Headlight(s)

F2710



2011 W800 (European) PARTS LIST

Headlight(s)

ITEM NAME	PART NUMBER	QUANTITY
BOLT-FLANGED,6X12 (Ref # 130)	130BB0612	2
SCREW-PAN-CROSS,5X10 (Ref # 220)	220AA0510	2
WASHER-SPRING,5MM (Ref # 461)	461S0500	2
BRACKET (Ref # 11051)	11051-1473	1
BODY-COMP-HEAD LAMP,M.D.GREEN (Ref # 23005A)	23005-0029-727	1
RIM-LAMP (Ref # 23006)	23006-0054	1
SOCKET-ASSY,PARKING LAMP (Ref # 23008)	23008-1616	1
SPRING,FOCUS ADJUSTING (Ref # 23014)	23014-005	1
SCREW,FOCUS ADJUSTING (Ref # 23019)	23019-021	1
NUT,4MM,FOCUS ADJUST (Ref # 23020)	23020-018	1
WASHER (Ref # 23021)	23021-010	2
DAMPER,PARKING LAMP (Ref # 23066)	23066-008	1
COVER-SEAL,HEAD LAMP (Ref # 49016)	49016-1046	1
BOLT,FLANGED,8X35 (Ref # 92001)	92001-1910	2
SCREW,5MM (Ref # 92009)	92009-1947	2
NUT,FLANGED,8MM (Ref # 92015)	92015-1014	2
NUT,5MM (Ref # 92015A)	92015-1157	2
NUT,5MM,FOCUS ADJUST (Ref # 92015B)	92015-1799	1
WASHER,5.2X13X1 (Ref # 92022)	92022-1380	1
COLLAR,L=20 (Ref # 92027)	92027-1131	2
BULB,12V 4W (Ref # 92069)	92069-071	1
BULB,12V 60/55W,H4 (Ref # 92069A)	92069-1002	1
DAMPER,HEAD LAMP FITTING (Ref # 92075)	92075-1109	2
DAMPER,HEAD LAMP FITTING (Ref # 92075A)	92075-1110	2
SPRING (Ref # 92144)	92144-1417	1
BOLT,ADJUST,5X45 (Ref # 92150)	92150-1590	1
LENS-COMP,HEAD LAMP (Ref # 23007)	23007-1362	1
LENS-COMP,HEAD LAMP (Ref # 23007A)	23007-1416	1