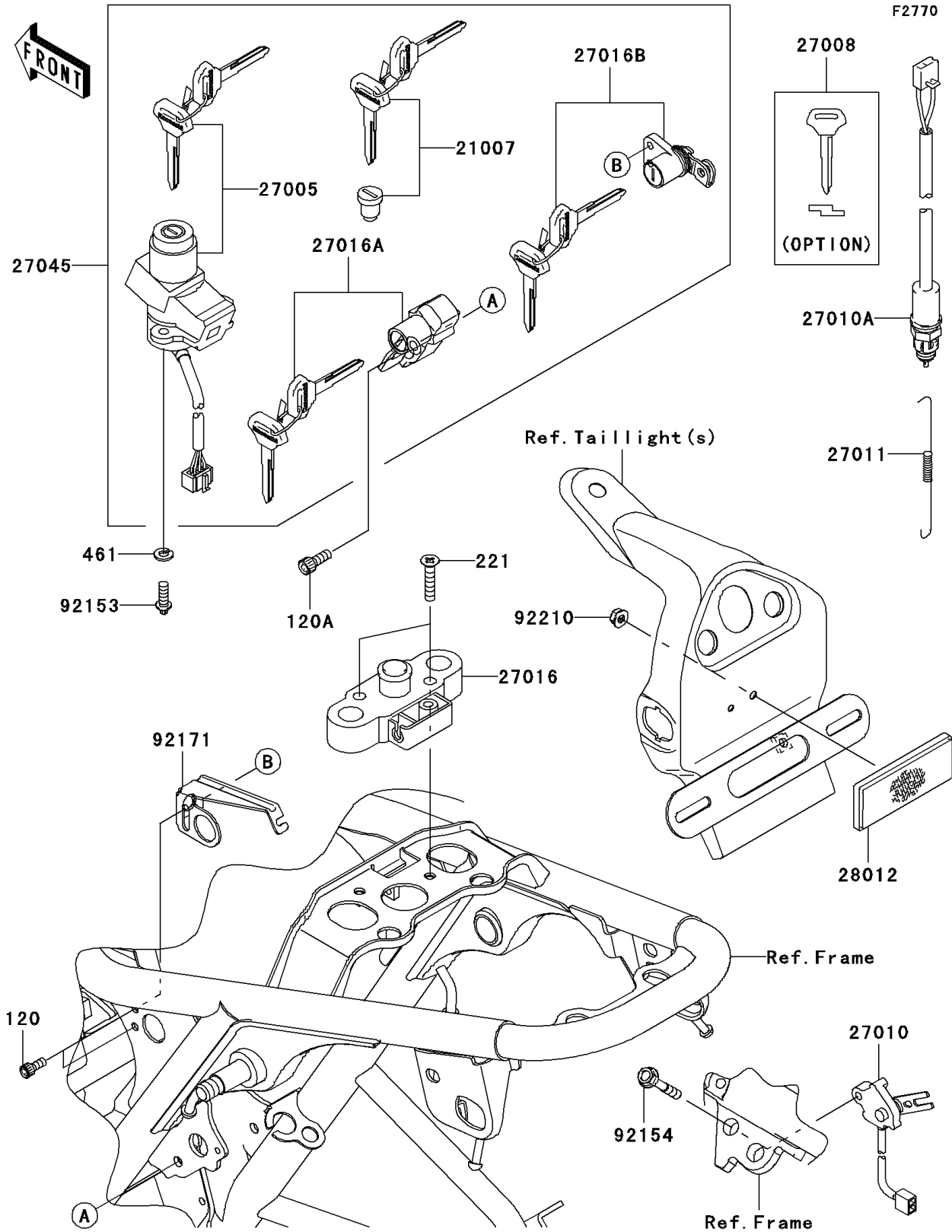


2012 W800 (European) PARTS DIAGRAM

Ignition Switch



2012 W800 (European) PARTS LIST

Ignition Switch

| ITEM NAME | PART NUMBER | QUANTITY |
|--|-------------|----------|
| BOLT-SOCKET,5X12 (Ref # 120) | 120CB0512 | 2 |
| BOLT-SOCKET,6X16 (Ref # 120A) | 120CB0616 | 1 |
| SCREW-CSK-CROSS,6X30 (Ref # 221) | 221AB0630 | 2 |
| WASHER-SPRING,6MM (Ref # 461) | 461DA0600 | 2 |
| ROTOR,LOCK,TANK CAP (Ref # 21007) | 21007-5043 | 1 |
| SWITCH-ASSY-IGNITION (Ref # 27005) | 27005-5142 | 1 |
| KEY-LOCK,BLANK (Ref # 27008) | 27008-1189 | 1 |
| SWITCH,SIDE STAND (Ref # 27010) | 27010-1468 | 1 |
| SWITCH,REAR BRAKE (Ref # 27010A) | 27010-1486 | 1 |
| SPRING,BRAKE LAMP SWITCH (Ref # 27011) | 27011-011 | 1 |
| LOCK-ASSY,SEAT STRIKER (Ref # 27016) | 27016-1098 | 1 |
| LOCK-ASSY,HELMET (Ref # 27016A) | 27016-5249 | 1 |
| LOCK-ASSY,SEAT (Ref # 27016B) | 27016-5256 | 1 |
| SWITCH-ASSY (Ref # 27045) | 27045-5453 | 1 |
| REFLECTOR-REFLEX (Ref # 28012) | 28012-1077 | 1 |
| BOLT,TORX,6X16 (Ref # 92153) | 92153-0967 | 2 |
| BOLT,FLANGED,6X40 (Ref # 92154) | 92154-0859 | 1 |
| CLAMP (Ref # 92171) | 92171-1072 | 1 |
| NUT,FLANGED,5MM (Ref # 92210) | 92210-0007 | 1 |