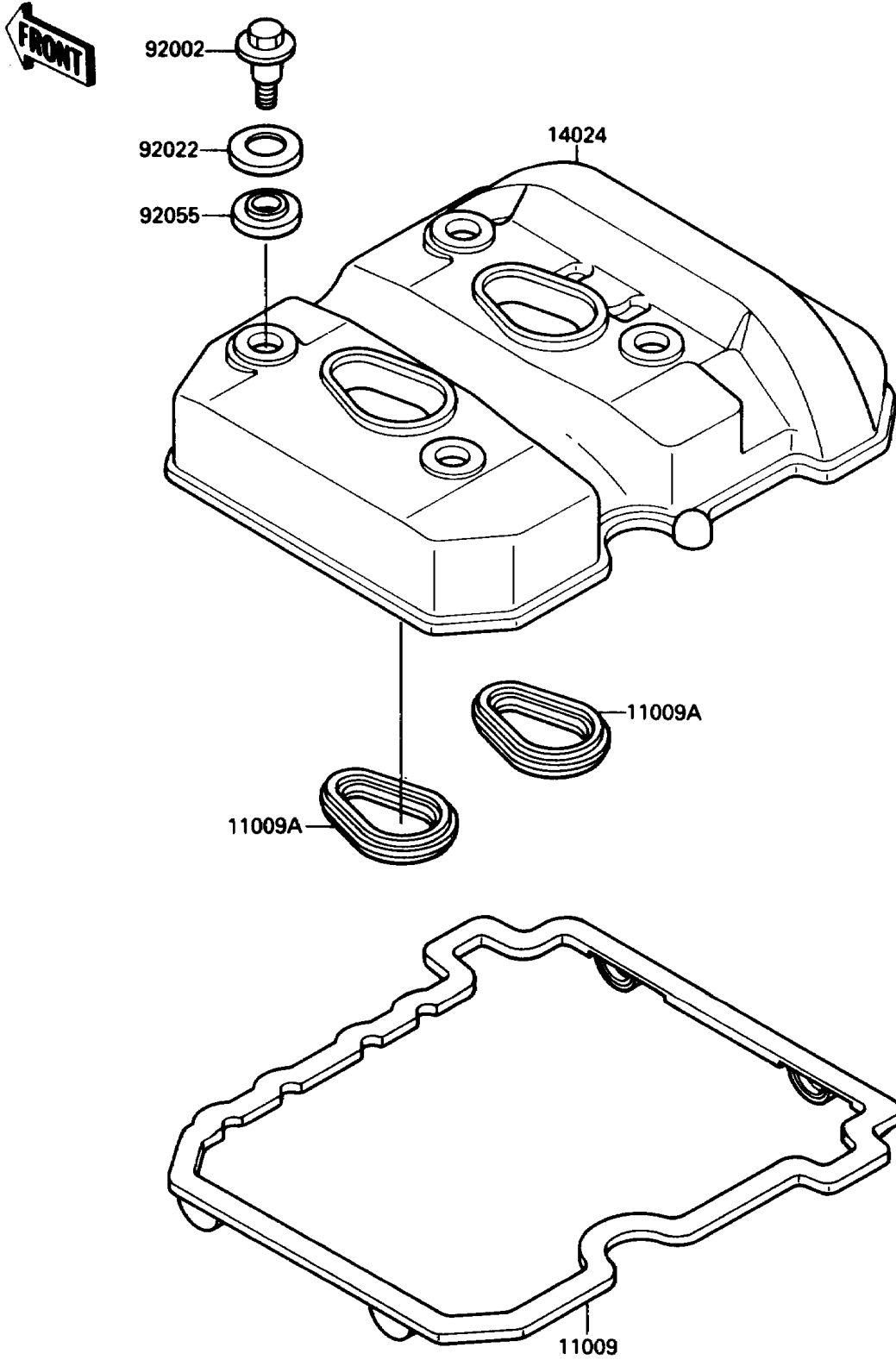


1988 Eliminator PARTS DIAGRAM

Cylinder Head Cover

E1112-0098



1988 Eliminator PARTS LIST

Cylinder Head Cover

ITEM NAME	PART NUMBER	QUANTITY
GASKET,CYLINDER HEAD COVER (Ref # 11009)	11009-1574	1
GASKET (Ref # 11009A)	11009-1575	2
COVER,CYLINDER HEAD (Ref # 14024)	14024-1515	1
BOLT,HEAD COVER (Ref # 92002)	92002-1504	4
WASHER,HEAD COVER BOLT (Ref # 92022)	92022-1637	4
RING-O,HEAD COVER BOLT (Ref # 92055)	92055-1225	4