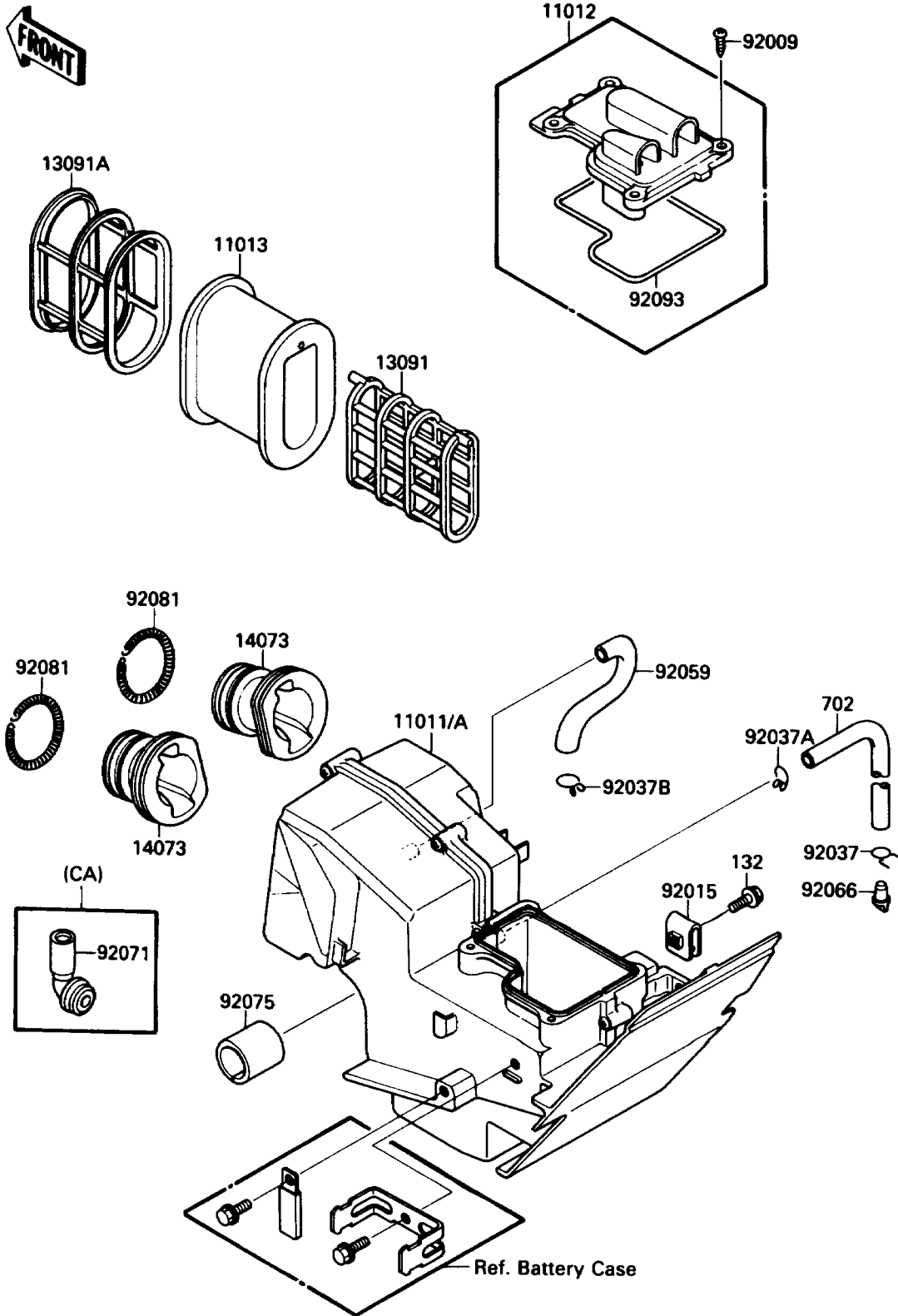


1988 Eliminator PARTS DIAGRAM

Air Cleaner

E1130-0243



1988 Eliminator PARTS LIST

Air Cleaner

| ITEM NAME | PART NUMBER | QUANTITY |
|--------------------------------------|-------------|----------|
| CASE-AIR FILTER (Ref # 11011) | 11011-1263 | 1 |
| CASE-AIR FILTER (Ref # 11011A) | 11011-1274 | 1 |
| CAP (Ref # 11012) | 11012-1597 | 1 |
| ELEMENT-AIR FILTER (Ref # 11013) | 11013-1154 | 1 |
| HOLDER,ELEMENT (Ref # 13091) | 13091-1467 | 1 |
| HOLDER,ELEMENT (Ref # 13091A) | 13091-1468 | 1 |
| DUCT,AIR FILTER (Ref # 14073) | 14073-1307 | 2 |
| SCREW,TAPPING,5X25 (Ref # 92009) | 92009-1339 | 4 |
| NUT,CLAMP,6MM (Ref # 92015) | 92015-1678 | 1 |
| CLAMP (Ref # 92037) | 92037-1712 | 1 |
| CLAMP,TUBE (Ref # 92037A) | 92037-1972 | 1 |
| CLAMP,TUBE (Ref # 92037B) | 92037-213 | 1 |
| TUBE,BREAHER (Ref # 92059) | 92059-1676 | 1 |
| PLUG,DRAIN (Ref # 92066) | 92066-1211 | 1 |
| GROMMET,AIR FILTER (Ref # 92071) | 92071-1114 | 1 |
| DAMPER (Ref # 92075) | 92075-1652 | 1 |
| SPRING,AIR FILTER DUCT (Ref # 92081) | 92081-1422 | 2 |
| SEAL (Ref # 92093) | 92093-1249 | 1 |
| BOLT-FLANGED-SMALL (Ref # 132) | 132J0614 | 1 |
| TUBE-RUBBER (Ref # 702) | 702A07200 | 1 |