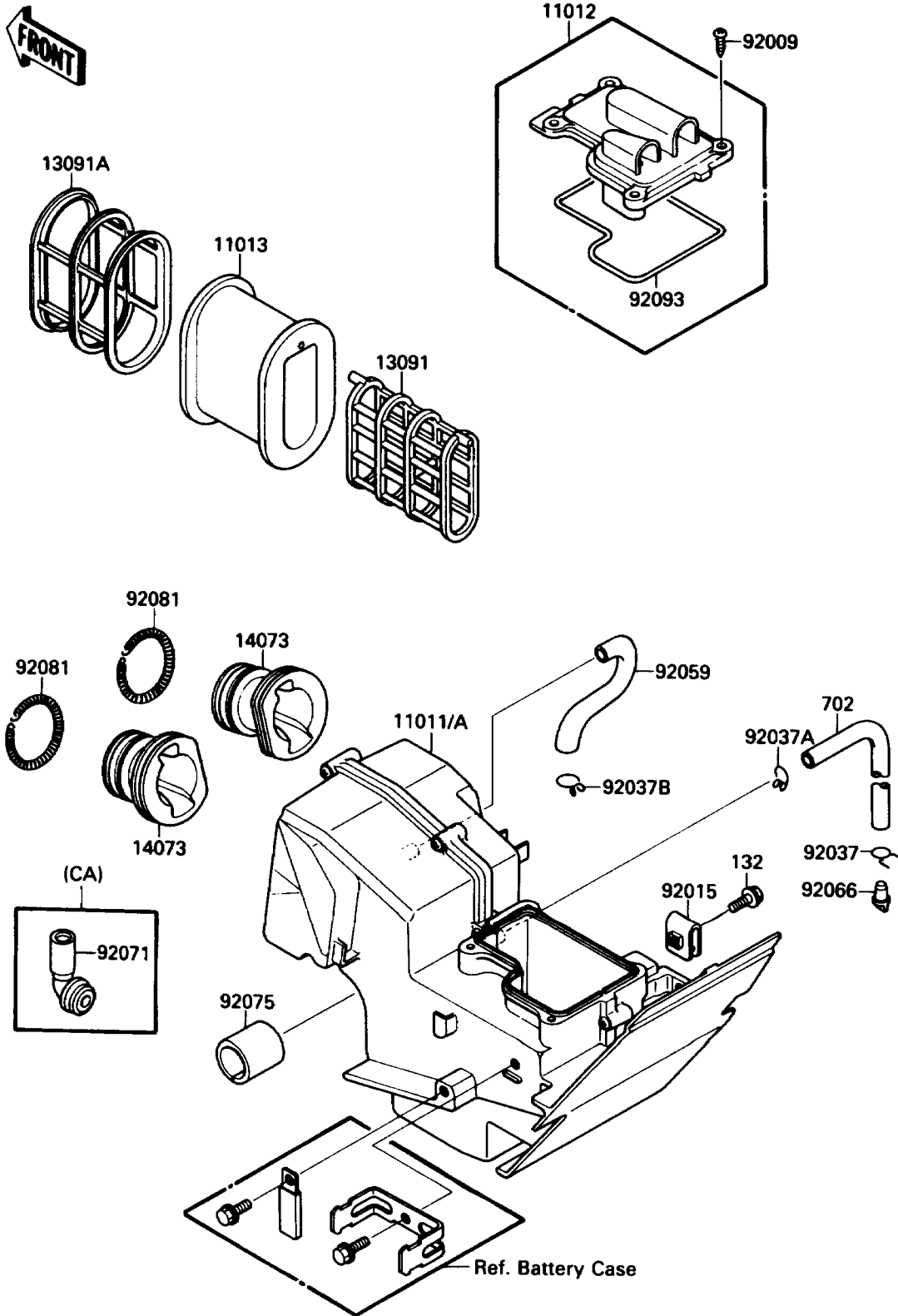


1989 Eliminator PARTS DIAGRAM

Air Cleaner

E1130-0243



1989 Eliminator PARTS LIST

Air Cleaner

ITEM NAME	PART NUMBER	QUANTITY
CASE-AIR FILTER (Ref # 11011)	11011-1263	1
CASE-AIR FILTER (Ref # 11011A)	11011-1274	1
CAP (Ref # 11012)	11012-1597	1
ELEMENT-AIR FILTER (Ref # 11013)	11013-1154	1
HOLDER,ELEMENT (Ref # 13091)	13091-1467	1
HOLDER,ELEMENT (Ref # 13091A)	13091-1468	1
DUCT,AIR FILTER (Ref # 14073)	14073-1307	2
SCREW,TAPPING,5X25 (Ref # 92009)	92009-1339	4
NUT,CLAMP,6MM (Ref # 92015)	92015-1678	1
CLAMP (Ref # 92037)	92037-1712	1
CLAMP,TUBE (Ref # 92037A)	92037-1972	1
CLAMP,TUBE (Ref # 92037B)	92037-213	1
TUBE,BREAHER (Ref # 92059)	92059-1676	1
PLUG,DRAIN (Ref # 92066)	92066-1211	1
GROMMET,AIR FILTER (Ref # 92071)	92071-1114	1
DAMPER (Ref # 92075)	92075-1652	1
SPRING,AIR FILTER DUCT (Ref # 92081)	92081-1422	2
SEAL (Ref # 92093)	92093-1249	1
BOLT-FLANGED-SMALL (Ref # 132)	132J0614	1
TUBE-RUBBER (Ref # 702)	702A07200	1