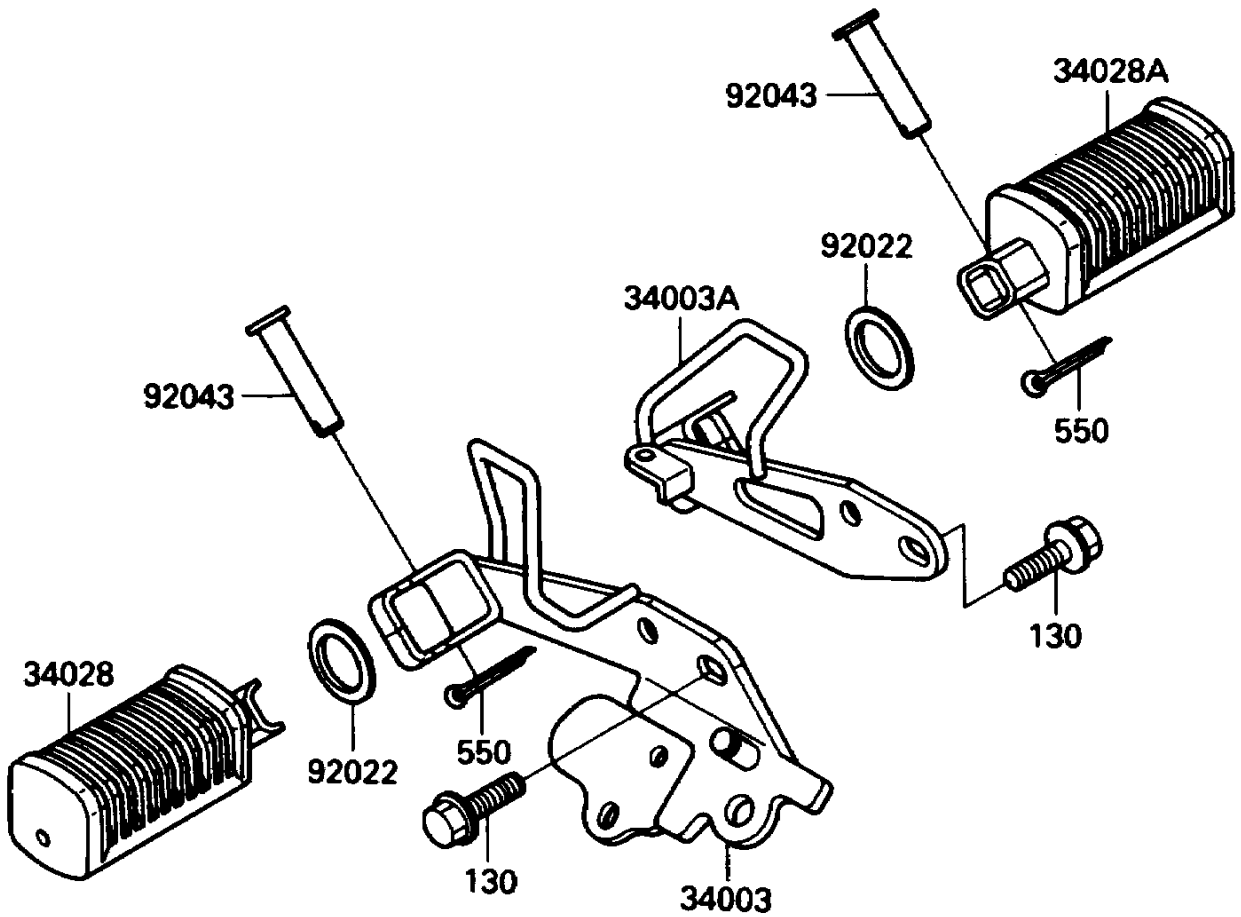


1989 Eliminator PARTS DIAGRAM

Footrests

F2160-0171



1989 Eliminator PARTS LIST

Footrests

ITEM NAME	PART NUMBER	QUANTITY
HOLDER-STEP,FR,LH (Ref # 34003)	34003-1305	1
HOLDER-STEP,FR,RH (Ref # 34003A)	34003-1306	1
STEP,FR,LH (Ref # 34028)	34028-1028	1
STEP,FR,RH (Ref # 34028A)	34028-1029	1
WASHER,25X36X2.3 (Ref # 92022)	92022-250	2
PIN,8X35.5 (Ref # 92043)	92043-115	2
BOLT-FLANGED,10X25 (Ref # 130)	130J1025	4
PIN-COTTER,2.5X15 (Ref # 550)	550D2515	2