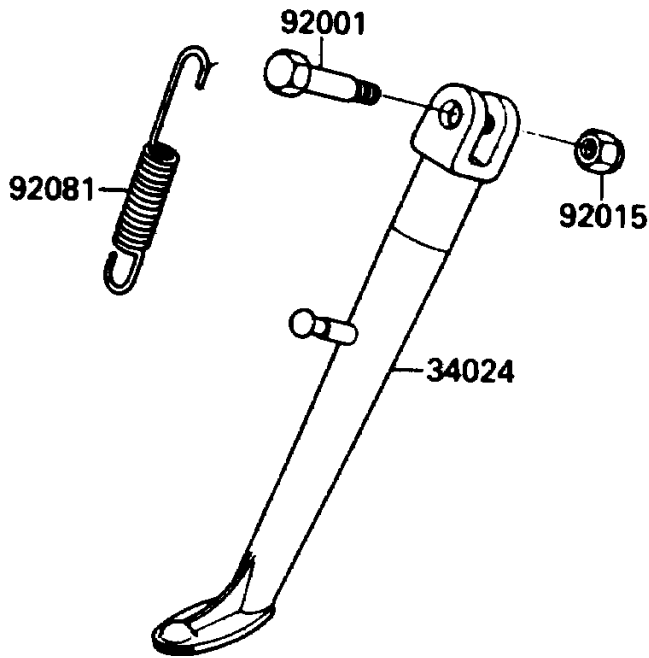


1989 Eliminator PARTS DIAGRAM

Stand(s)

F2190-0209



1989 Eliminator PARTS LIST

Stand(s)

ITEM NAME	PART NUMBER	QUANTITY
STAND-SIDE (Ref # 34024)	34024-1232	1
BOLT,SIDE STAND (Ref # 92001)	92001-1788	1
NUT,LOCK,10MM,BLACK (Ref # 92015)	92015-1188	1
SPRING,SIDE STAND (Ref # 92081)	92081-1727	1