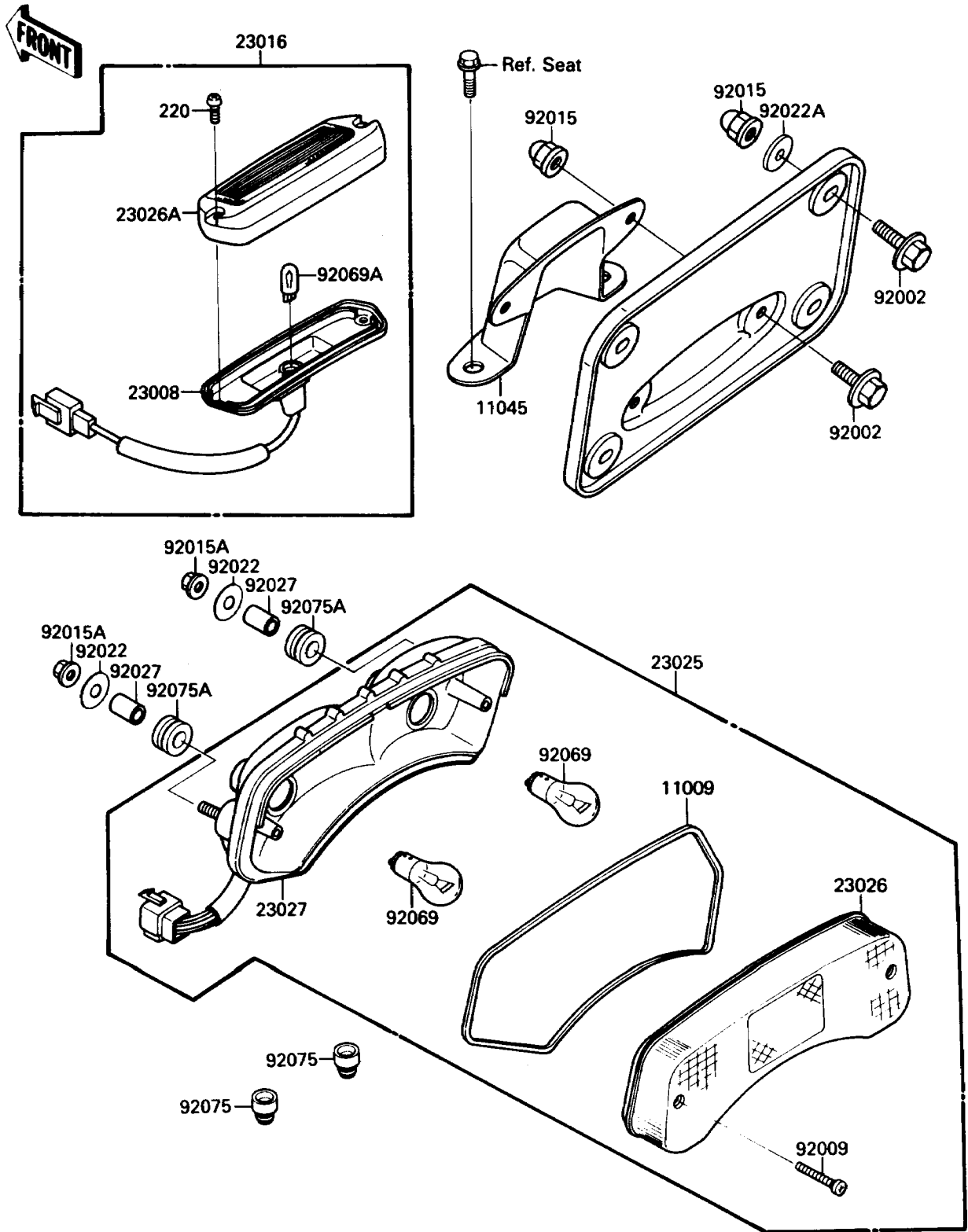


1989 Eliminator PARTS DIAGRAM

Taillight(s)

F2720-0257



1989 Eliminator PARTS LIST

Taillight(s)

| ITEM NAME | PART NUMBER | QUANTITY |
|--|-------------|----------|
| GASKET,TAIL LAMP LENS (Ref # 11009) | 11009-1524 | 1 |
| BRACKET,LICENSE PLATE (Ref # 11045) | 11045-1797 | 1 |
| HOLDER,LICENSE PLATE (Ref # 13091) | 13091-1500 | 1 |
| SOCKET-ASSY,LICENSE LAMP (Ref # 23008) | 23008-1348 | 1 |
| LAMP-ASSY,LICENSE (Ref # 23016) | 23016-1091 | 1 |
| LAMP-TAIL (Ref # 23025) | 23025-1123 | 1 |
| LENS,TAIL LAMP (Ref # 23026) | 23026-1068 | 1 |
| LENS,LICENSE LAMP (Ref # 23026A) | 23026-1069 | 1 |
| BODY-COMP-TAIL LAMP (Ref # 23027) | 23027-1062 | 1 |
| BOLT,6X16 (Ref # 92002) | 92001-1950 | 6 |
| SCREW,TAPPING,4X30 (Ref # 92009) | 92009-1056 | 2 |
| NUT,CAP,6MM,BLACK (Ref # 92015) | 92015-1170 | 6 |
| NUT,FLANGED,6MM (Ref # 92015A) | 92015-1193 | 2 |
| WASHER,6.5X20X1.6 (Ref # 92022) | 92022-125 | 2 |
| WASHER,6.5X20X1.6,BLACK (Ref # 92022A) | 92022-1346 | 4 |
| COLLAR,6.8X10X12 (Ref # 92027) | 92027-162 | 2 |
| BULB,12V 27/8W (Ref # 92069) | 92069-059 | 2 |
| BULB,12V 3.4W (Ref # 92069A) | 92069-1007 | 1 |
| DAMPER (Ref # 92075) | 92075-035 | 2 |
| DAMPER (Ref # 92075A) | 92075-1690 | 2 |
| SCREW-PAN-CROS,4X20 (Ref # 220) | 220C0420 | 2 |