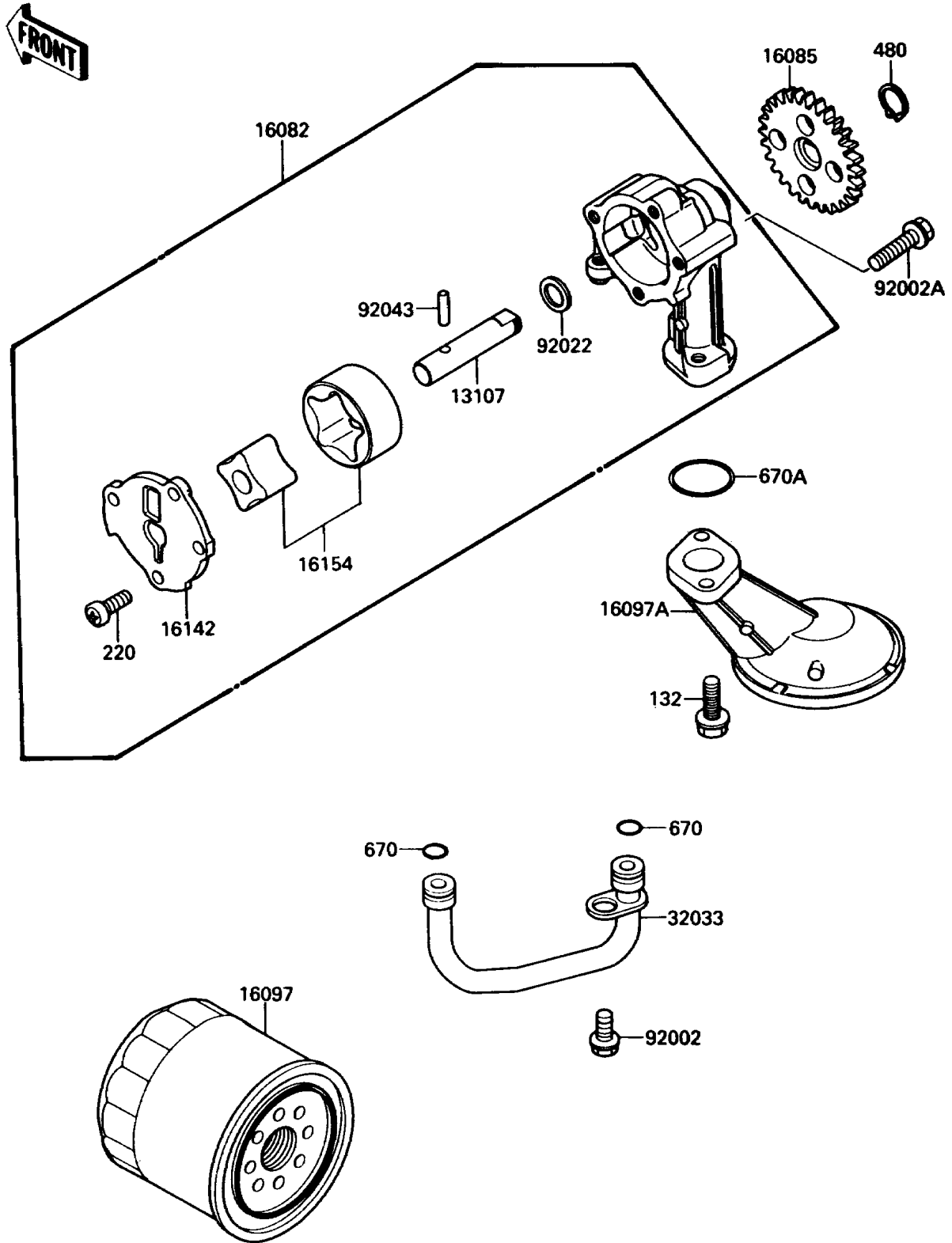


# 1987 454 LTD PARTS DIAGRAM

Oil Pump(EN450AE029480&NAMI.)

E1710-0086



# 1987 454 LTD PARTS LIST

Oil Pump(EN450AE029480&NAMI.)

| ITEM NAME                       | PART NUMBER | QUANTITY |
|---------------------------------|-------------|----------|
| SHAFT,OIL PUMP (Ref # 13107)    | 13107-1202  | 1        |
| PUMP-ASSY-OIL (Ref # 16082)     | 16082-1085  | 1        |
| GEAR,OIL PUMP (Ref # 16085)     | 16085-1143  | 1        |
| FILTER-ASSY-OIL (Ref # 16097)   | 16097-1054  | 1        |
| FILTER-ASSY-OIL (Ref # 16097A)  | 16097-1056  | 1        |
| COVER-PUMP,OIL (Ref # 16142)    | 16142-1077  | 1        |
| ROTOR-PUMP,OIL (Ref # 16154)    | 16154-1066  | 1        |
| PIPE (Ref # 32033)              | 32033-1540  | 1        |
| BOLT,6X12 (Ref # 92002)         | 92002-1572  | 1        |
| BOLT,6X25 (Ref # 92002A)        | 92002-1609  | 3        |
| WASHER,11.2X15X1 (Ref # 92022)  | 92022-311   | 1        |
| PIN,DOWEL,4X15.8 (Ref # 92043)  | 92043-1054  | 1        |
| BOLT-FLANGED-SMALL (Ref # 132)  | 132G0620    | 2        |
| SCREW-PAN-CROS,6X16 (Ref # 220) | 220B0616    | 4        |
| CIRCLIP-TYPE-C,11MM (Ref # 480) | 480J1100    | 1        |
| O RING,10MM (Ref # 670)         | 670B2010    | 2        |
| O RING,22MM (Ref # 670A)        | 670D2022    | 1        |