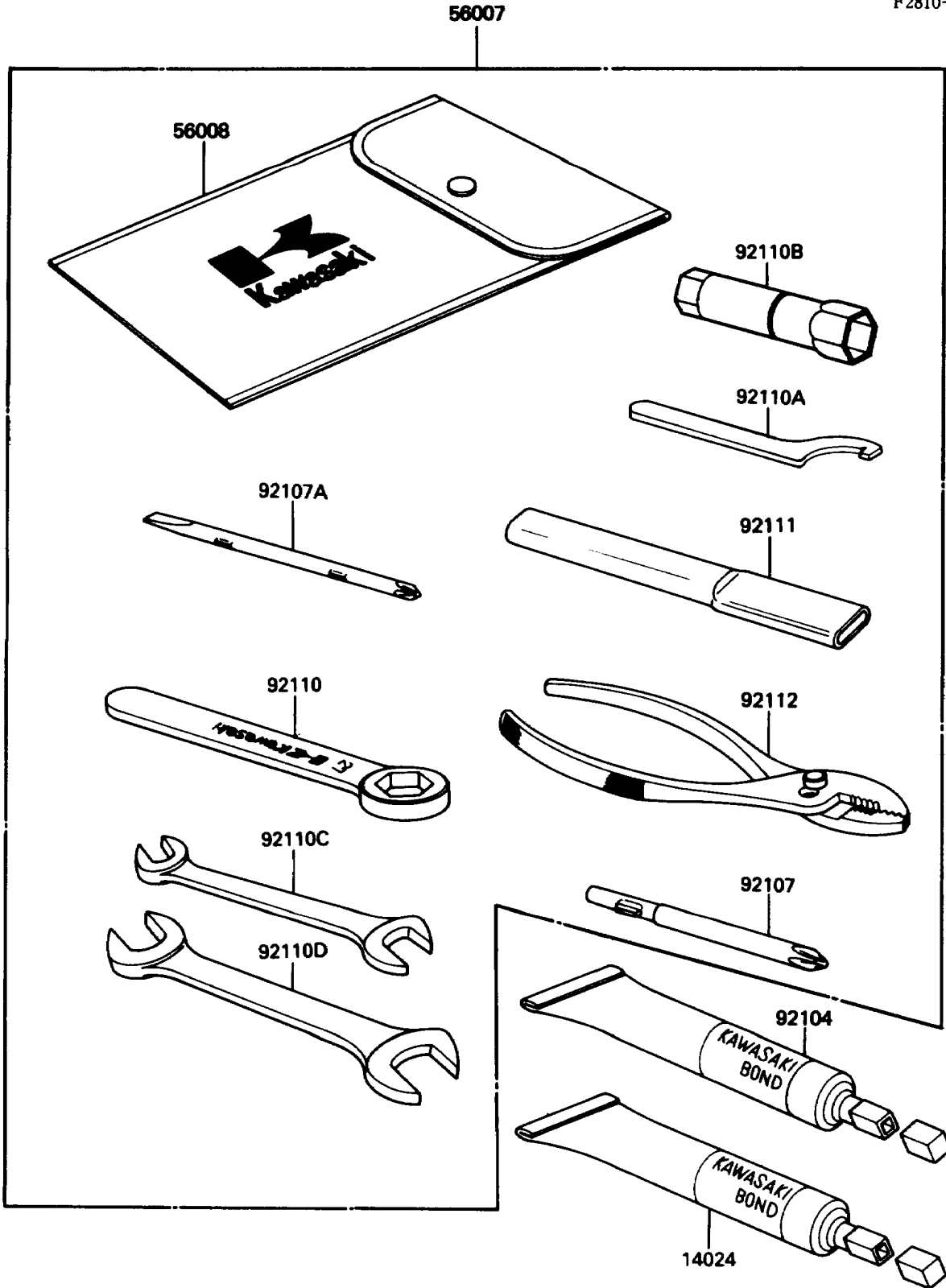


1986 454 LTD PARTS DIAGRAM

Owner's Tools

F2810-0207



1986 454 LTD PARTS LIST

Owner's Tools

ITEM NAME	PART NUMBER	QUANTITY
THREE BOND TB1211,HT/RS,WHITE (Ref # 14024)	56019-120	1
TOOLKIT (Ref # 56007)	56007-1229	1
BAG,TOOL (Ref # 56008)	56008-1019	1
GASKET-LIQUID,TUBE,100G,SILVER (Ref # 92104)	92104-002	1
TOOL-DRIVER,#3PHILLIPS (Ref # 92107)	92107-005	1
TOOL-DRIVER,#2PHILLIPS (Ref # 92107A)	92107-1051	1
TOOL-WRENCH,BOX END,27MM (Ref # 92110)	92109-009	1
TOOL-WRENCH,HOOK,45MM (Ref # 92110A)	92110-1007	1
TOOL-WRENCH,BOX,18MM (Ref # 92110B)	92110-1110	1
TOOL-WRENCH,OPEN END,10X12 (Ref # 92110C)	92110-1117	1
TOOL-WRENCH,OPEN END,14X17 (Ref # 92110D)	92126-003	1
TOOL-BAR,BOX END WRENCH (Ref # 92111)	92111-1051	1
TOOL-PLIERS (Ref # 92112)	92112-003	1