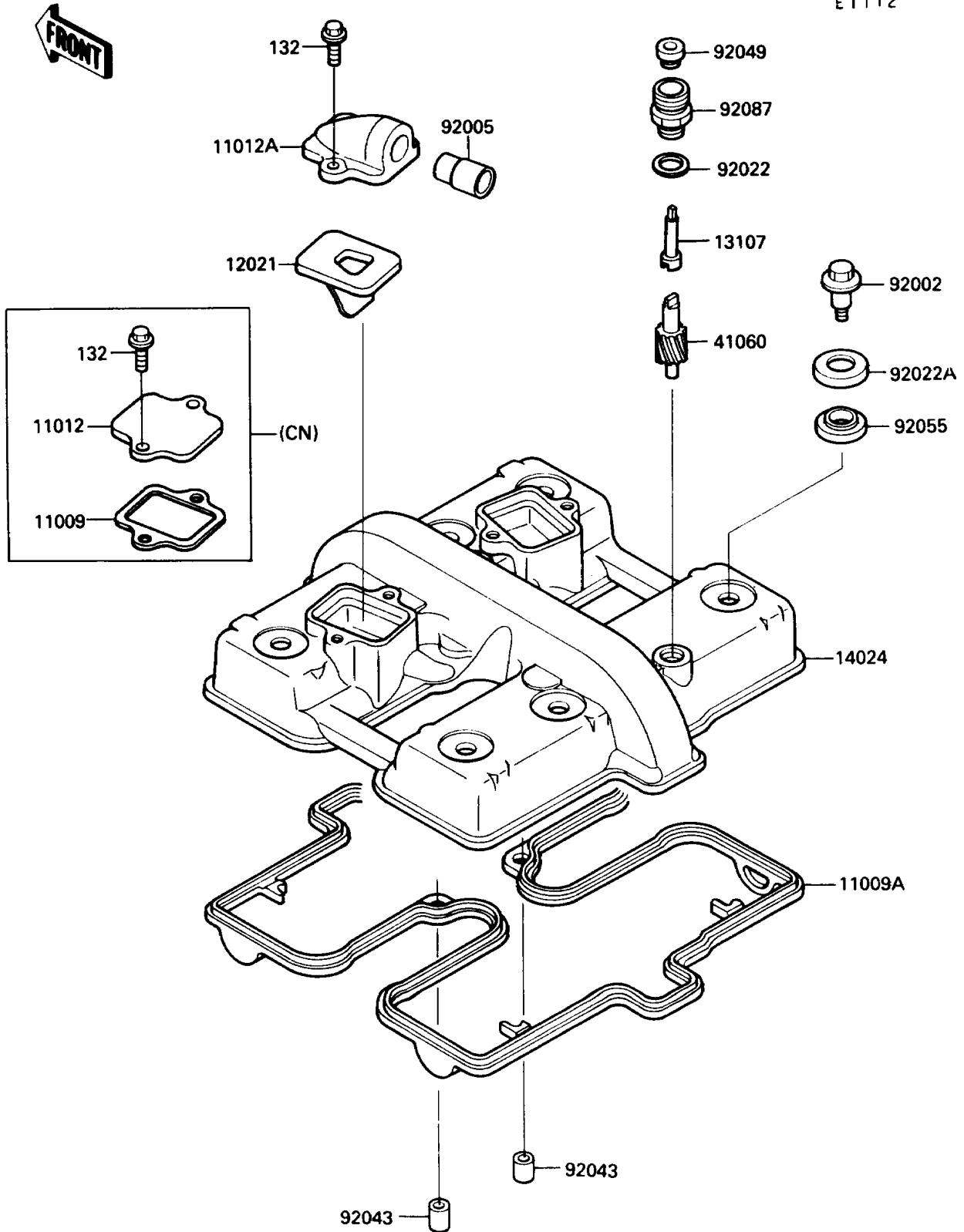


# 1990 454 LTD PARTS DIAGRAM

Cylinder Head Cover

E1112



## 1990 454 LTD PARTS LIST

### Cylinder Head Cover

| ITEM NAME                                  | PART NUMBER | QUANTITY |
|--|-------------|----------|
| GASKET, REED VALVE (Ref # 11009)           | 11009-1246  | 2        |
| GASKET, CYLINDER HEAD COVER (Ref # 11009A) | 11009-1483  | 1        |
| CAP, CYLINDER HEAD COVER (Ref # 11012)     | 11012-1212  | 2        |
| CAP, REED VALVE (Ref # 11012A)             | 11012-1435  | 2        |
| VALVE-ASSY-REED (Ref # 12021)              | 12021-1026  | 2        |
| SHAFT, METER GEAR (Ref # 13107)            | 13107-1140  | 1        |
| COVER, CYLINDER HEAD (Ref # 14024)         | 14025-1702  | 1        |
| GEAR-METER SCREW (Ref # 41060)             | 41060-1109  | 1        |
| BOLT, HEAD COVER (Ref # 92002)             | 92002-1504  | 6        |
| FITTING, REED VALVE (Ref # 92005)          | 92005-1006  | 2        |
| WASHER (Ref # 92022)                       | 92022-1211  | 1        |
| WASHER, HEAD COVER BOLT (Ref # 92022A)     | 92022-1637  | 6        |
| PIN, DOWEL, 8X10 (Ref # 92043)             | 92043-1302  | 2        |
| SEAL-OIL (Ref # 92049)                     | 92050-075   | 1        |
| RING-O, HEAD COVER BOLT (Ref # 92055)      | 92055-1225  | 6        |
| BUSHING-METER GEAR (Ref # 92087)           | 92087-1053  | 1        |
| BOLT-FLANGED-SMALL (Ref # 132)             | 132E0616    | 4        |