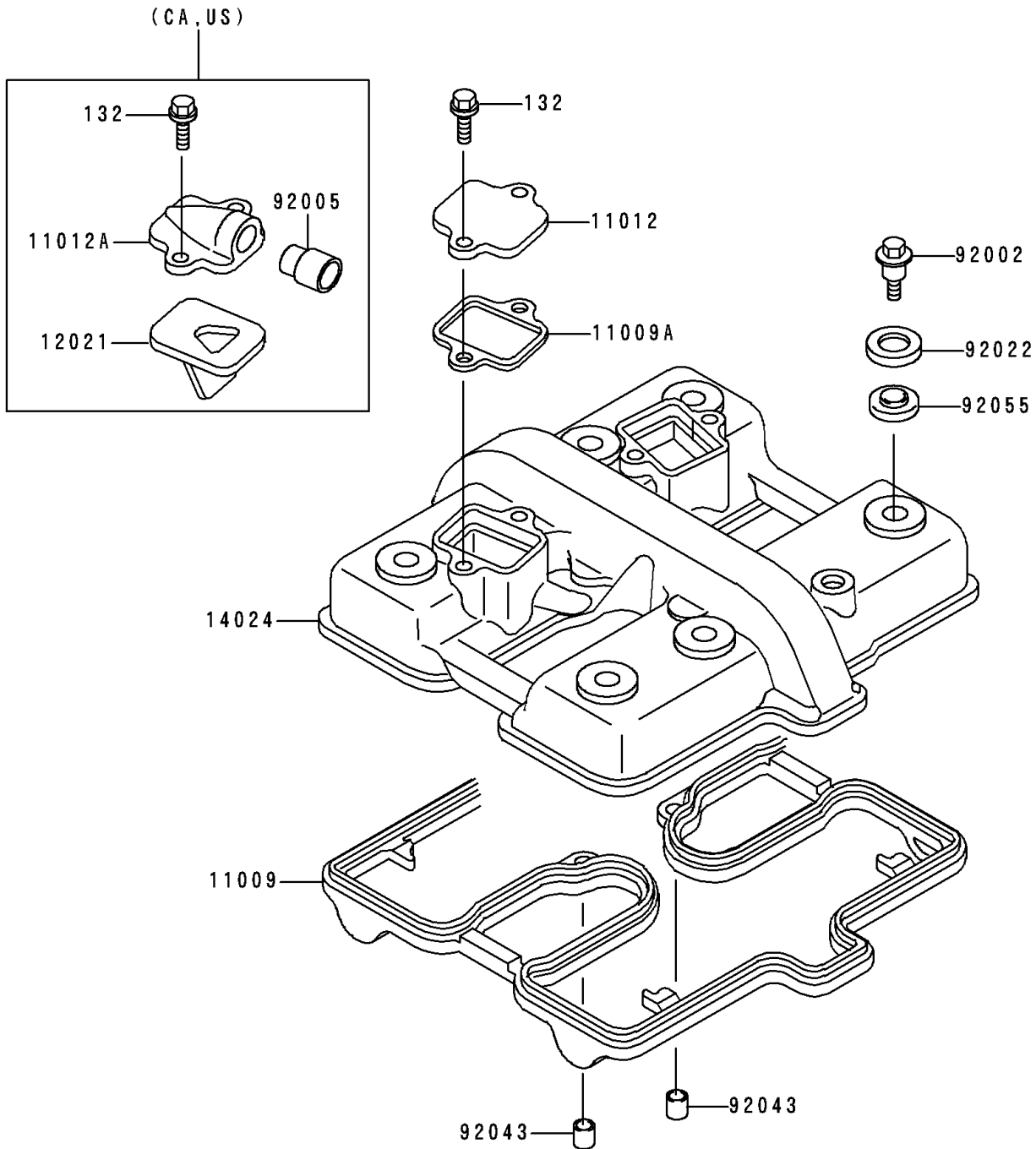


1991 Vulcan 500 PARTS DIAGRAM

Cylinder Head Cover

E1112



1991 Vulcan 500 PARTS LIST

Cylinder Head Cover

| ITEM NAME | PART NUMBER | QUANTITY |
|--|-------------|----------|
| BOLT-FLANGED-SMALL (Ref # 132) | 132E0616 | 4 |
| GASKET,CYLINDER HEAD COVER (Ref # 11009) | 11009-1483 | 1 |
| COVER,HEAD (Ref # 14024) | 14024-1862 | 1 |
| BOLT,HEAD COVER (Ref # 92002) | 92002-1595 | 6 |
| WASHER,HEAD COVER BOLT (Ref # 92022) | 92022-1637 | 6 |
| PIN,DOWEL,8X10 (Ref # 92043) | 92043-1302 | 2 |
| RING-O,HEAD COVER BOLT (Ref # 92055) | 92055-1225 | 6 |
| GASKET,REED VALVE (Ref # 11009A) | 11009-1879 | 2 |
| CAP,CYLINDER HEAD COVER (Ref # 11012) | 11012-1212 | 2 |
| CAP,REED VALVE (Ref # 11012A) | 11012-1435 | 2 |
| VALVE-ASSY-REED (Ref # 12021) | 12021-1026 | 2 |
| FITTING,REED VALVE (Ref # 92005) | 92005-1006 | 2 |