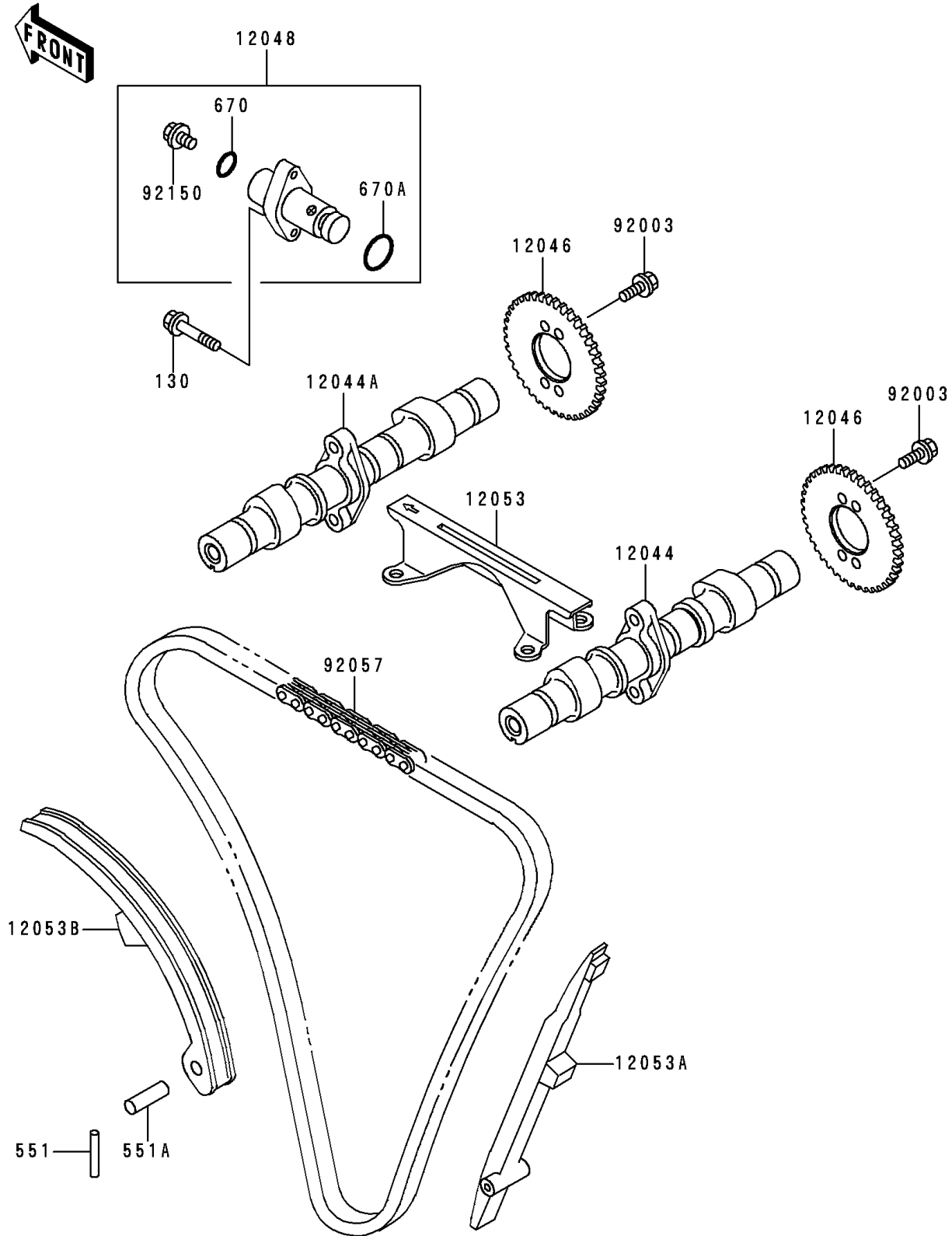


1993 Vulcan 500 PARTS DIAGRAM

Camshafts/Tensioner

E1230



1993 Vulcan 500 PARTS LIST

Camshafts/Tensioner

ITEM NAME	PART NUMBER	QUANTITY
-----------	-------------	----------