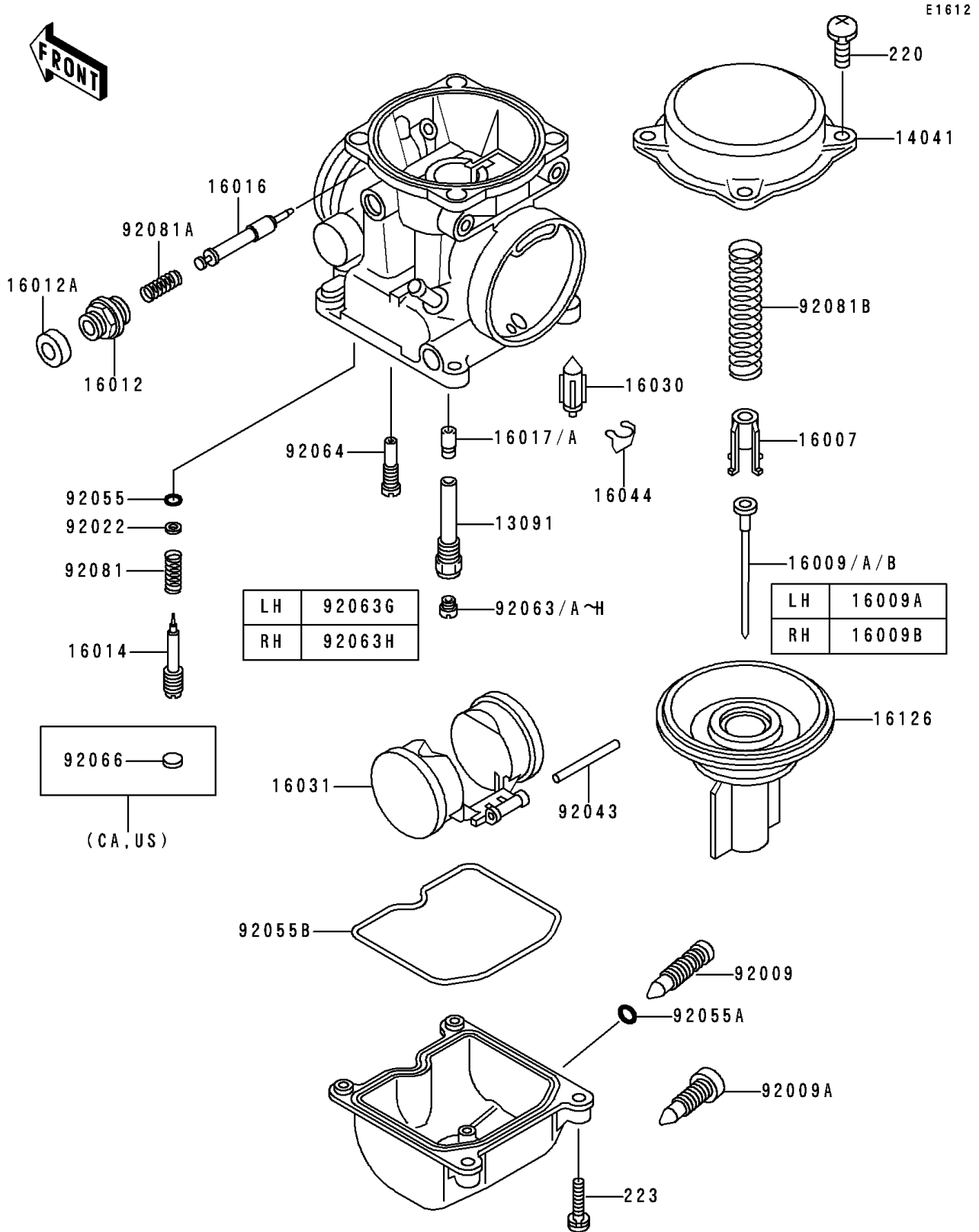


1993 Vulcan 500 PARTS DIAGRAM

Carburetor Parts



1993 Vulcan 500 PARTS LIST

Carburetor Parts

ITEM NAME	PART NUMBER	QUANTITY
HOLDER,NEEDLE JET (Ref # 13091)	13091-1425	2
COVER-COMP,MIXING CHAMBER (Ref # 14041)	14041-1065	2
SEAT-SPRING,VALVE (Ref # 16007)	16007-1117	2
CAP-STARTER PLUNGER (Ref # 16012)	16012-1051	2
CAP-STARTER PLUNGER (Ref # 16012A)	16012-1052	2
SCREW-PILOT AIR (Ref # 16014)	16014-1054	2
PLUNGER,STARTER (Ref # 16016)	16016-1077	2
VALVE-FLOAT (Ref # 16030)	16030-1007	2
FLOAT (Ref # 16031)	16031-1056	2
CLAMP,FLOAT VALVE (Ref # 16044)	16044-007	2
VALVE,VACUUM,60PS (Ref # 16126)	16126-1173	2
SCREW,DRAIN,M6X1.0 (Ref # 92009)	92009-1095	2
SCREW,DRAIN,M6X0.75 (Ref # 92009A)	92009-1551	2
WASHER,PLAIN (Ref # 92022)	92022-1003	2
PIN,FLOAT (Ref # 92043)	92043-1207	2
RING-O,PILOT ADJUST (Ref # 92055)	92055-1002	2
RING-O,DRAIN SCREW (Ref # 92055A)	92055-1053	2
RING-O,FLOAT CHAMBER (Ref # 92055B)	92055-1222	2
JET-MAIN,#110 (Ref # 92063D)	92063-1114	2
SCREW-PAN-WS-CROS (Ref # 223)	223C0416	8
JET-MAIN,#108 (Ref # 92063F)	92063-1116	2
JET-PILOT,#35 (Ref # 92064)	92064-1101	2
SPRING,PILOT ADJUST SCREW (Ref # 92081)	92081-1002	2
SPRING,STARTER PLUNGER (Ref # 92081A)	92081-1618	2
SPRING,VACUUM VALVE (Ref # 92081B)	92081-1874	2
NEEDLE-JET,N60Q (Ref # 16009)	16009-1615	2
NEEDLE-JET,N60T (Ref # 16009A)	16009-1616	1
NEEDLE-JET,N60S (Ref # 16009B)	16009-1617	1
JET-NEEDLE (Ref # 16017)	16017-1059	2

1993 Vulcan 500 PARTS LIST

Carburetor Parts

ITEM NAME	PART NUMBER	QUANTITY
JET-NEEDLE,#6 (Ref # 16017A)	16017-1208	2
JET-MAIN,2ND,#100 (Ref # 92063)	92063-1008	2
JET-MAIN,2ND,#105 (Ref # 92063A)	92063-1009	2
JET-MAIN,#118 (Ref # 92063B)	92063-1071	2
JET-MAIN,#120 (Ref # 92063C)	92063-1072	2
SCREW-PAN-CROS (Ref # 220)	220B0408	7
SCREW-PAN-CROS (Ref # 220)	220B0408	8
CIRCLIP-TYPE-E,4MM (Ref # 482)	482L4000	2
JET-MAIN,#102 (Ref # 92063E)	92063-1115	2
JET-MAIN,#112 (Ref # 92063G)	92063-1117	1
JET-MAIN,#115 (Ref # 92063H)	92063-1118	1
PLUG,PILOT AIR SCREW,6.9X2 (Ref # 92066)	92066-1051	2