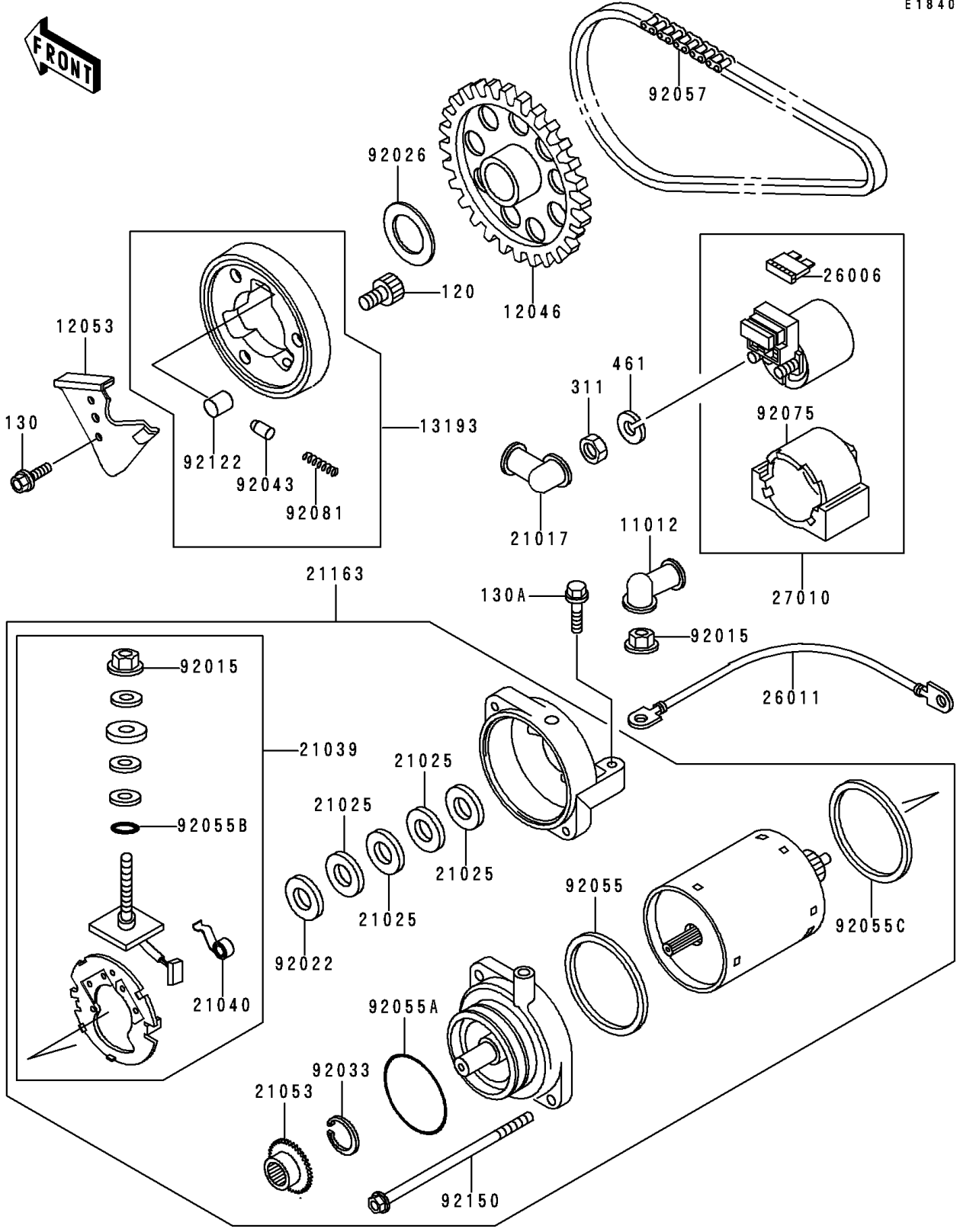


1991 Vulcan 500 PARTS DIAGRAM

Starter Motor

E1840



1991 Vulcan 500 PARTS LIST

Starter Motor

ITEM NAME	PART NUMBER	QUANTITY
BOLT-SOCKET (Ref # 120)	120P0816	3
BOLT-FLANGED,6X20 (Ref # 130)	130G0620	2
BOLT-FLANGED (Ref # 130A)	130Y0625	2
NUT-HEX,6MM (Ref # 311)	311B0600	2
WASHER-SPRING,6MM (Ref # 461)	461F0600	2
CAP,TERMINAL (Ref # 11012)	11012-1354	1
SPROCKET,ONEWAY CLUTCH,46T (Ref # 12046)	12046-1072	1
GUIDE-CHAIN (Ref # 12053)	12053-1214	1
CLUTCH-ASSY-ONEWAY (Ref # 13193)	13193-1060	1
GROMMET,STARTER TERMINAL (Ref # 21017)	21017-017	1
WASHER,9.1X18X0.2 (Ref # 21025)	21025-011	4
BRUSH,CARBON (Ref # 21039)	21039-1062	1
SPRING-BRUSH (Ref # 21040)	21040-1057	2
SPROCKET-ASSY (Ref # 21053)	21053-1057	1
STARTER-ELECTRIC (Ref # 21163)	21163-1125	1
FUSE,30A-G (Ref # 26006)	26006-1006	1
WIRE-LEAD,STARTER MOTOR (Ref # 26011)	26011-1073	1
SWITCH,MAGNETIC (Ref # 27010)	27010-1213	1
NUT,STARTER MOTOR (Ref # 92015)	92015-1476	2
WASHER,9.1X18X0.8 (Ref # 92022)	92022-1132	1
SPACER,25.2X40X1.0 (Ref # 92026)	92026-1285	1
RING-SNAP,17MM (Ref # 92033)	92033-034	1
PIN (Ref # 92043)	92043-087	3
RING-O,64MM (Ref # 92055)	92055-1086	1
RING-O,42.8MM (Ref # 92055A)	92055-1313	1
RING-O,4.5X2.0 (Ref # 92055B)	92055-1370	1
RING-O,STARTER MOTOR (Ref # 92055C)	92055-1381	1
CHAIN,STARTER,BF05MX64L (Ref # 92057)	92057-1197	1
DAMPER,MAGNETIC SWITCH (Ref # 92075)	92075-1863	1

1991 Vulcan 500 PARTS LIST

Starter Motor

ITEM NAME	PART NUMBER	QUANTITY
SPRING (Ref # 92081)	92081-110	3
ROLLER,15X13 (Ref # 92122)	92122-004	3
BOLT,STARTER MOTOR (Ref # 92150)	92150-1138	2