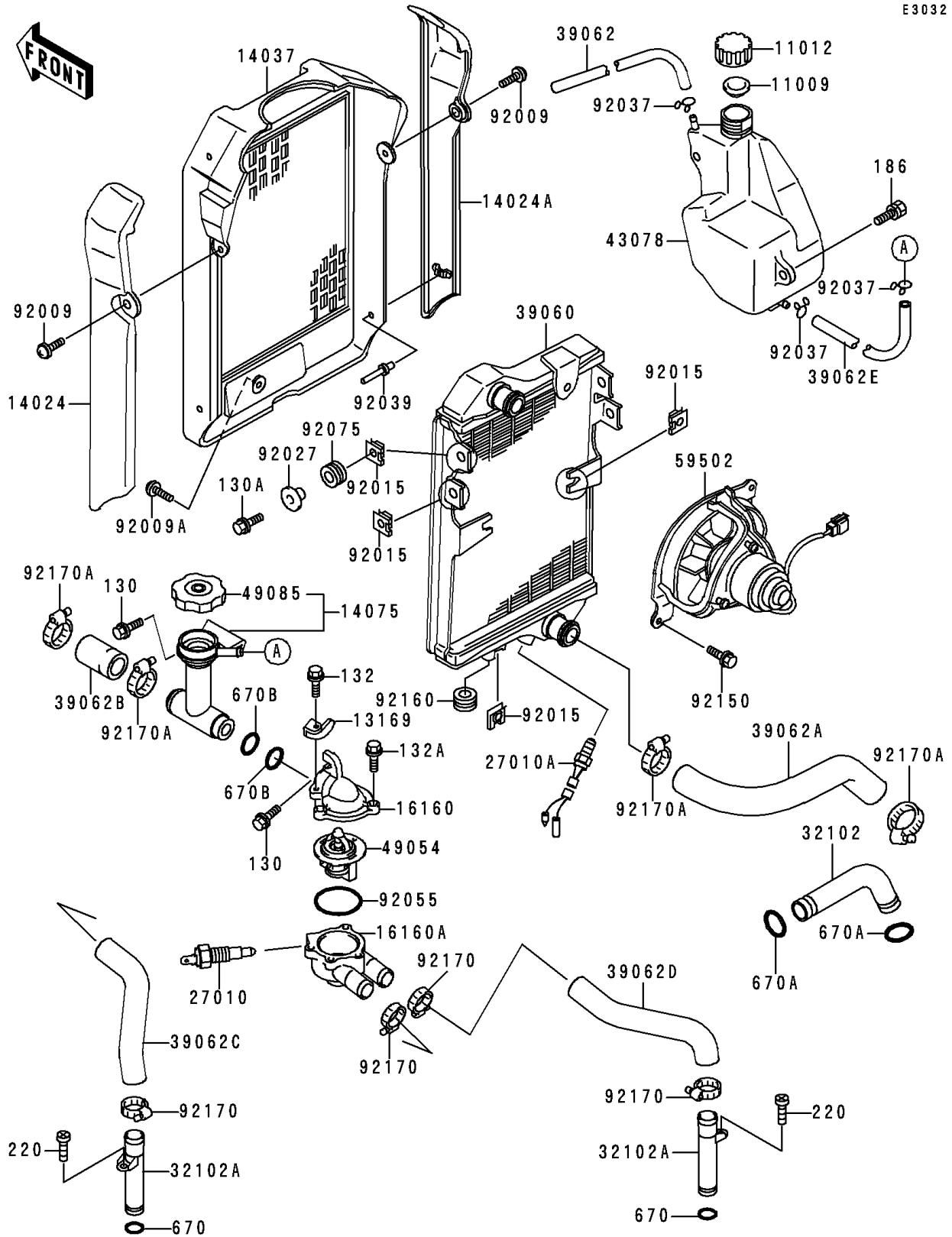


1991 Vulcan 500 PARTS DIAGRAM

Radiator

E3032



1991 Vulcan 500 PARTS LIST

Radiator

| ITEM NAME | PART NUMBER | QUANTITY |
|--|-------------|----------|
| BOLT-FLANGED,6X14 (Ref # 130) | 130G0614 | 2 |
| BOLT-FLANGED (Ref # 130A) | 130J0620 | 2 |
| BOLT-FLANGED-SMALL (Ref # 132) | 132G0612 | 1 |
| BOLT-FLANGED-SMALL (Ref # 132A) | 132G0620 | 3 |
| GASKET,RESERVOIR TANK CAP (Ref # 11009) | 11009-1145 | 1 |
| CAP (Ref # 11012) | 11012-1084 | 1 |
| PLATE (Ref # 13169) | 13169-1901 | 1 |
| COVER,SCREEN,LH (Ref # 14024) | 14024-1889 | 1 |
| COVER,SCREEN,RH (Ref # 14024A) | 14024-1890 | 1 |
| SCREEN (Ref # 14037) | 14037-1127 | 1 |
| CAP-ASSY,RADIATOR (Ref # 14075) | 14075-1082 | 1 |
| BODY,THERMOSTAT,UPP (Ref # 16160) | 16160-1085 | 1 |
| BODY,THERMOSTAT,LWR (Ref # 16160A) | 16160-1138 | 1 |
| SWITCH,SENSOR WATER (Ref # 27010) | 27010-1239 | 1 |
| SWITCH,FAN (Ref # 27010A) | 27010-1307 | 1 |
| PIPE (Ref # 32102) | 32102-1014 | 1 |
| PIPE (Ref # 32102A) | 32102-1473 | 2 |
| RADIATOR (Ref # 39060) | 39060-1089 | 1 |
| HOSE-COOLING,5.5X10.5X970 (Ref # 39062) | 39062-1060 | 1 |
| HOSE-COOLING (Ref # 39062A) | 39062-1106 | 1 |
| HOSE-COOLING (Ref # 39062B) | 39062-1107 | 1 |
| HOSE-COOLING (Ref # 39062C) | 39062-1108 | 1 |
| HOSE-COOLING (Ref # 39062D) | 39062-1109 | 1 |
| HOSE-COOLING,5.5X10.5X300 (Ref # 39062E) | 39062-1110 | 1 |
| RESERVOIR (Ref # 43078) | 43078-1060 | 1 |
| THERMOSTAT (Ref # 49054) | 49054-1055 | 1 |
| CAP-ASSY-PRESSURE (Ref # 49085) | 49085-1067 | 1 |
| FAN-ASSY (Ref # 59502) | 59502-1054 | 1 |
| SCREW,6X18,WHITE (Ref # 92009) | 92009-1111 | 2 |

1991 Vulcan 500 PARTS LIST

Radiator

| ITEM NAME | PART NUMBER | QUANTITY |
|-----------------------------------|-------------|----------|
| SCREW,6X14 (Ref # 92009A) | 92009-1288 | 1 |
| NUT (Ref # 92015) | 92015-1487 | 7 |
| COLLAR (Ref # 92027) | 92027-1767 | 2 |
| CLAMP,TUBE (Ref # 92037) | 92037-147 | 3 |
| RIVET,BLIND,4.0X9.2 (Ref # 92039) | 92039-1163 | 4 |
| RING-O,44.7X2.4 (Ref # 92055) | 92055-1279 | 1 |
| DAMPER (Ref # 92075) | 92075-1680 | 2 |
| BOLT,6X12 (Ref # 92150) | 92150-1186 | 3 |
| DAMPER (Ref # 92160) | 92160-1007 | 1 |
| CLAMP,COOLING HOSE (Ref # 92170) | 92170-1077 | 4 |
| CLAMP,COOLING HOSE (Ref # 92170A) | 92170-1286 | 4 |
| BOLT-UPSET-WP (Ref # 186) | 186J0618 | 2 |
| SCREW-PAN-CROS,6X12 (Ref # 220) | 220B0612 | 2 |
| O RING,14MM (Ref # 670) | 670B2014 | 2 |
| O RING,18MM (Ref # 670A) | 670B2018 | 2 |
| O RING,22MM (Ref # 670B) | 670B2022 | 2 |