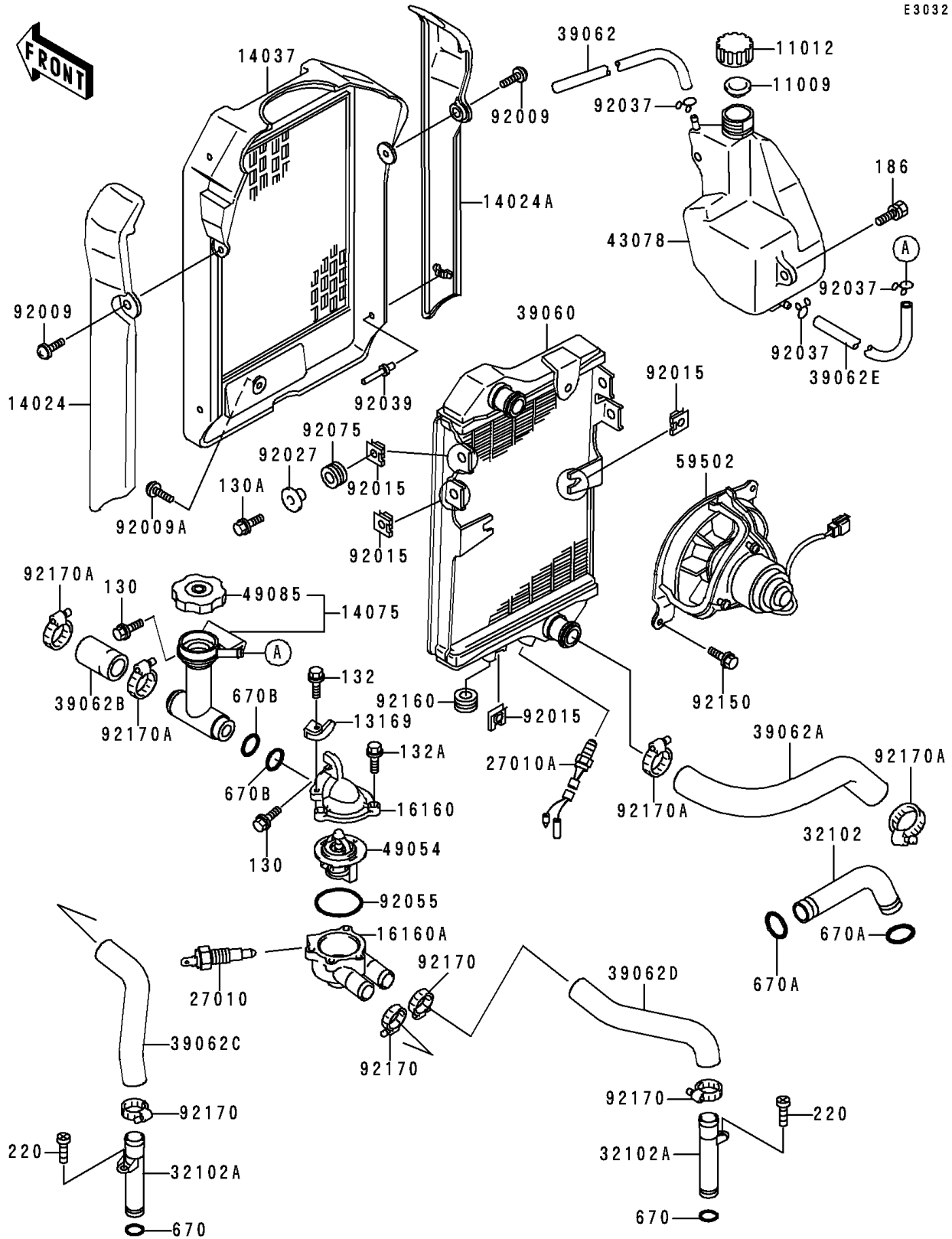


# 1993 Vulcan 500 PARTS DIAGRAM

Radiator

E3032



# 1993 Vulcan 500 PARTS LIST

## Radiator

ITEM NAME	PART NUMBER	QUANTITY
BOLT-FLANGED,6X14 (Ref # 130)	130G0614	2
BOLT-FLANGED (Ref # 130A)	130J0620	2
BOLT-FLANGED-SMALL (Ref # 132)	132G0612	1
BOLT-FLANGED-SMALL (Ref # 132A)	132G0620	3
GASKET,RESERVOIR TANK CAP (Ref # 11009)	11009-1145	1
CAP (Ref # 11012)	11012-1084	1
PLATE (Ref # 13169)	13169-1901	1
COVER,SCREEN,LH (Ref # 14024)	14024-1889	1
COVER,SCREEN,RH (Ref # 14024A)	14024-1890	1
SCREEN (Ref # 14037)	14037-1127	1
CAP-ASSY,RADIATOR (Ref # 14075)	14075-1082	1
BODY,THERMOSTAT,UPP (Ref # 16160)	16160-1085	1
BODY,THERMOSTAT,LWR (Ref # 16160A)	16160-1138	1
SWITCH,SENSOR WATER (Ref # 27010)	27010-1239	1
SWITCH,FAN (Ref # 27010A)	27010-1307	1
PIPE (Ref # 32102)	32102-1014	1
PIPE (Ref # 32102A)	32102-1473	2
RADIATOR (Ref # 39060)	39060-1089	1
HOSE-COOLING,5.5X10.5X970 (Ref # 39062)	39062-1060	1
HOSE-COOLING (Ref # 39062A)	39062-1106	1
HOSE-COOLING (Ref # 39062B)	39062-1107	1
HOSE-COOLING (Ref # 39062C)	39062-1108	1
HOSE-COOLING (Ref # 39062D)	39062-1109	1
HOSE-COOLING,5.5X10.5X300 (Ref # 39062E)	39062-1110	1
RESERVOIR (Ref # 43078)	43078-1060	1
THERMOSTAT (Ref # 49054)	49054-1055	1
CAP-ASSY-PRESSURE (Ref # 49085)	49085-1067	1
FAN-ASSY (Ref # 59502)	59502-1054	1
SCREW,6X18,WHITE (Ref # 92009)	92009-1111	2

## 1993 Vulcan 500 PARTS LIST

### Radiator

ITEM NAME	PART NUMBER	QUANTITY
SCREW,6X14 (Ref # 92009A)	92009-1288	1
NUT (Ref # 92015)	92015-1487	7
COLLAR (Ref # 92027)	92027-1767	2
CLAMP,TUBE (Ref # 92037)	92037-147	3
RIVET,BLIND,4.0X9.2 (Ref # 92039)	92039-1163	4
RING-O,44.7X2.4 (Ref # 92055)	92055-1279	1
DAMPER (Ref # 92075)	92075-1680	2
BOLT,6X12 (Ref # 92150)	92150-1186	3
DAMPER (Ref # 92160)	92160-1007	1
CLAMP,COOLING HOSE (Ref # 92170)	92170-1077	4
CLAMP,COOLING HOSE (Ref # 92170A)	92170-1286	4
BOLT-UPSET-WP (Ref # 186)	186J0618	2
SCREW-PAN-CROS,6X12 (Ref # 220)	220B0612	2
O RING,14MM (Ref # 670)	670B2014	2
O RING,18MM (Ref # 670A)	670B2018	2
O RING,22MM (Ref # 670B)	670B2022	2