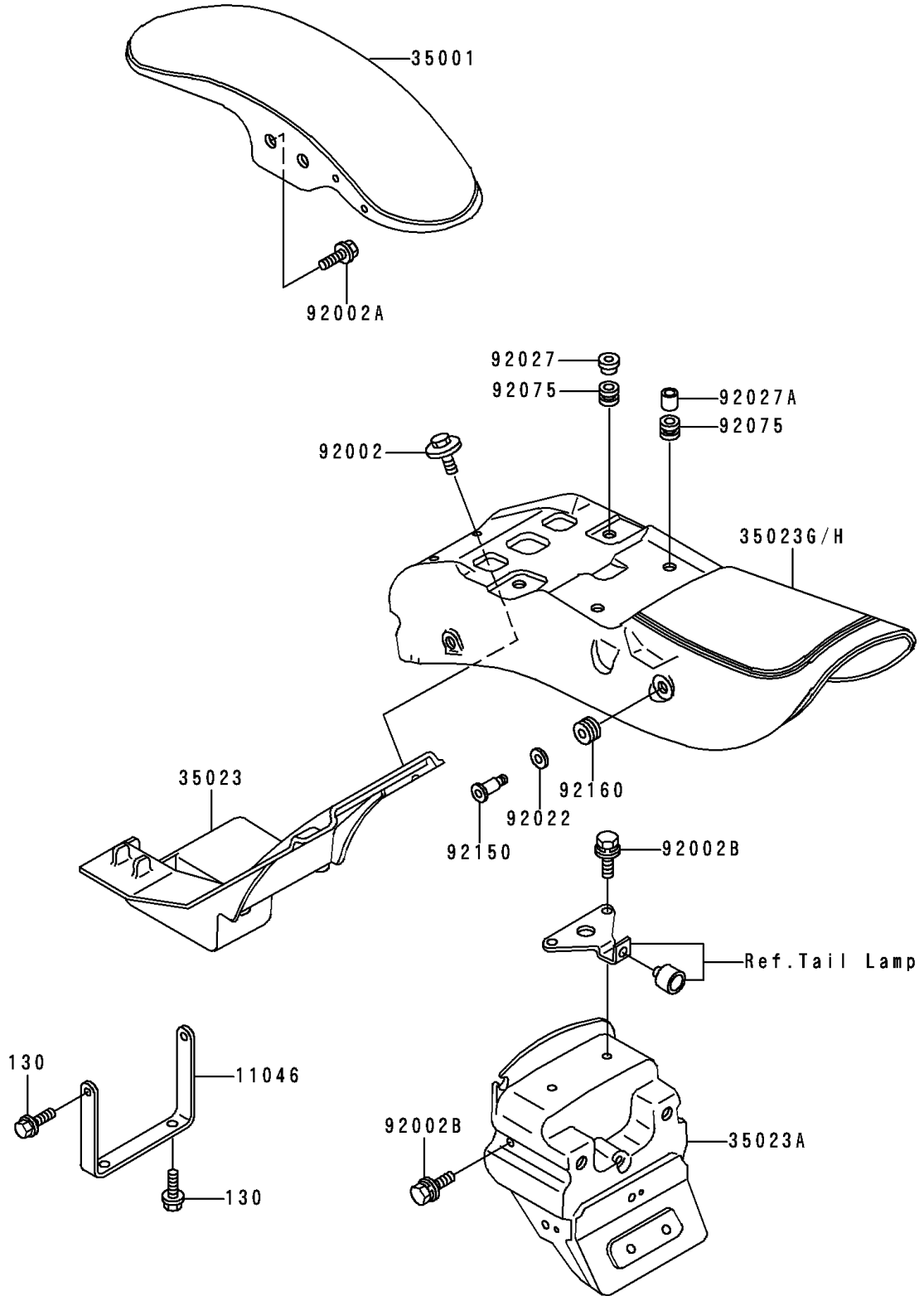


# 1994 Vulcan 500 PARTS DIAGRAM

Fenders(EN500-A5)

F2170A



# 1994 Vulcan 500 PARTS LIST

Fenders(EN500-A5)

ITEM NAME	PART NUMBER	QUANTITY
BOLT-FLANGED (Ref # 130)	130D0610	4
BRACKET,REAR FENDER,FR (Ref # 11046)	11046-1913	1
FENDER-ASSY-FRONT (Ref # 35001)	35001-1140	1
FENDER-REAR,FR (Ref # 35023)	35023-1259	1
FENDER-REAR,RR,LWR (Ref # 35023A)	35023-1261	1
FENDER-REAR,RR,UPP,RED/RED (Ref # 35023G)	35023-5067-46	1
FENDER-REAR,RR,UPP,GREEN/WHITE (Ref # 35023H)	35023-5068-RX	1
BOLT,6X16 (Ref # 92002)	92002-1188	2
BOLT,FLANGED,8X16 (Ref # 92002A)	92002-1200	4
BOLT,6X16 (Ref # 92002B)	92002-1242	4
WASHER (Ref # 92022)	92022-107	2
COLLAR,L=9 (Ref # 92027)	92027-1188	2
COLLAR,6.8X10X8.5 (Ref # 92027A)	92027-129	2
DAMPER (Ref # 92075)	92075-1634	4
BOLT (Ref # 92150)	92150-1413	2
DAMPER (Ref # 92160)	92160-1012	2