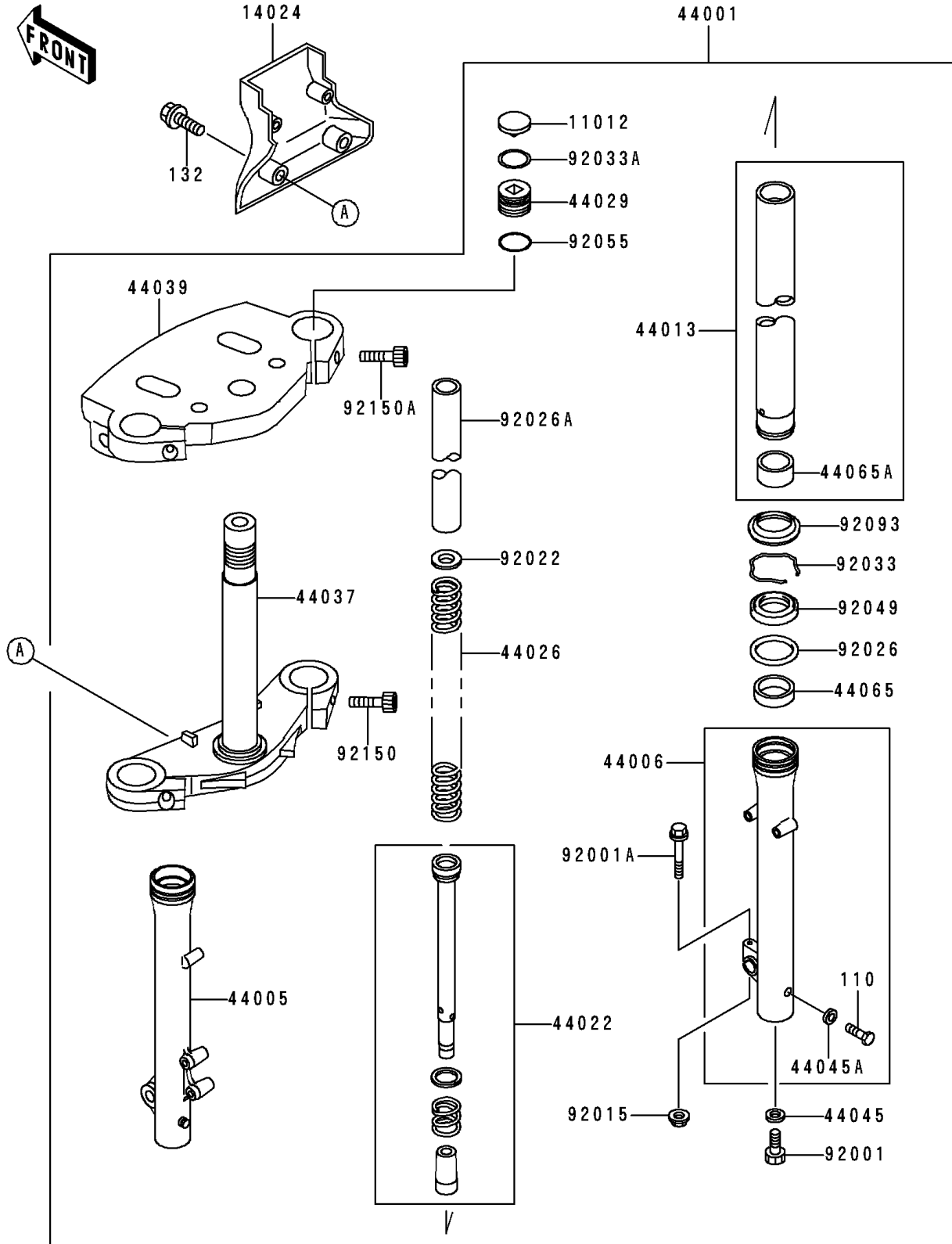


1991 Vulcan 500 PARTS DIAGRAM

Front Fork

F2340



1991 Vulcan 500 PARTS LIST

Front Fork

| ITEM NAME | PART NUMBER | QUANTITY |
|--|-------------|----------|
| BOLT,6X8 (Ref # 110) | 110B0608 | 2 |
| BOLT-FLANGED-SMALL (Ref # 132) | 132E0625 | 2 |
| CAP,FORK TOP (Ref # 11012) | 11012-1689 | 2 |
| COVER (Ref # 14024) | 14024-1900 | 1 |
| FORK-FRONT (Ref # 44001) | 44001-1752 | 1 |
| PIPE-LEFT FORK OUTER (Ref # 44005) | 44005-1230 | 1 |
| PIPE-RIGHT FORK OUTER (Ref # 44006) | 44006-1230 | 1 |
| PIPE-FORK INNER (Ref # 44013) | 44013-1286 | 2 |
| CYLINDER-FORK (Ref # 44022) | 44022-1178 | 2 |
| SPRING-FRONT FORK (Ref # 44026) | 44026-1464 | 2 |
| SEAT-FORK SPRING (Ref # 44029) | 44029-1124 | 2 |
| HOLDER-FORK UNDER (Ref # 44037) | 44037-1265 | 1 |
| HOLDER-FORK UPPER (Ref # 44039) | 44039-1198 | 1 |
| GASKET,FORK CYLINDER BOLT (Ref # 44045) | 44045-051 | 2 |
| GASKET,DRAIN PLUG (Ref # 44045A) | 44045-052 | 2 |
| BUSHING-FRONT FORK (Ref # 44065) | 44065-1068 | 2 |
| BUSHING-FRONT FORK,INNER PIPE (Ref # 44065A) | 44065-1069 | 2 |
| BOLT,FORK CYLINDER (Ref # 92001) | 92001-1464 | 2 |
| BOLT,FLANGED,8X50 (Ref # 92001A) | 92001-1486 | 1 |
| NUT,FLANGED,8MM (Ref # 92015) | 92015-1055 | 1 |
| WASHER (Ref # 92022) | 92022-1702 | 2 |
| SPACER,FORK (Ref # 92026) | 92026-1038 | 2 |
| SPACER (Ref # 92026A) | 92026-1392 | 2 |
| RING-SNAP,FORK (Ref # 92033) | 92033-1193 | 2 |
| RING-SNAP,FORK TOP (Ref # 92033A) | 92033-1220 | 2 |
| SEAL-OIL,FORK (Ref # 92049) | 92049-1226 | 2 |
| RING-O,FORK SPRING SEAT (Ref # 92055) | 92055-1359 | 2 |
| SEAL,FORK (Ref # 92093) | 92093-1196 | 2 |
| BOLT,SOCKET,10X25 (Ref # 92150) | 92150-1387 | 2 |

1991 Vulcan 500 PARTS LIST

Front Fork

| ITEM NAME | PART NUMBER | QUANTITY |
|---------------------------------|-------------|----------|
| BOLT,SOCKET,8X30 (Ref # 92150A) | 92150-1407 | 2 |