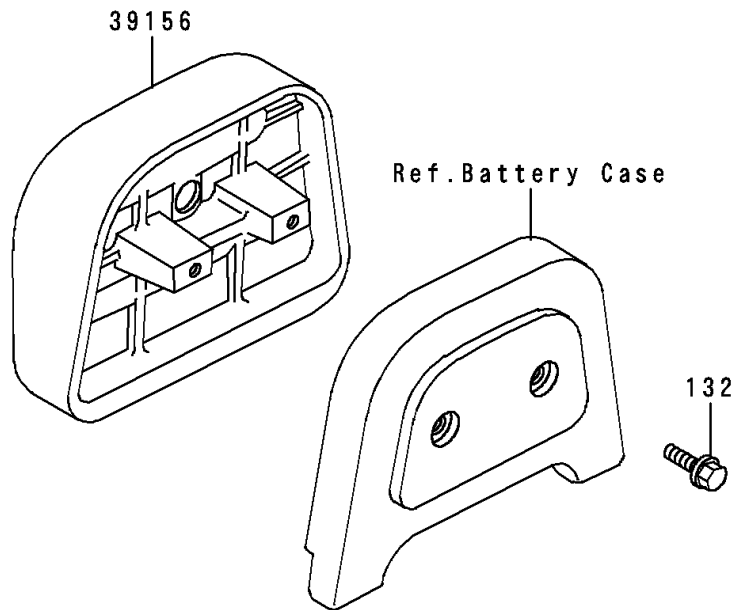
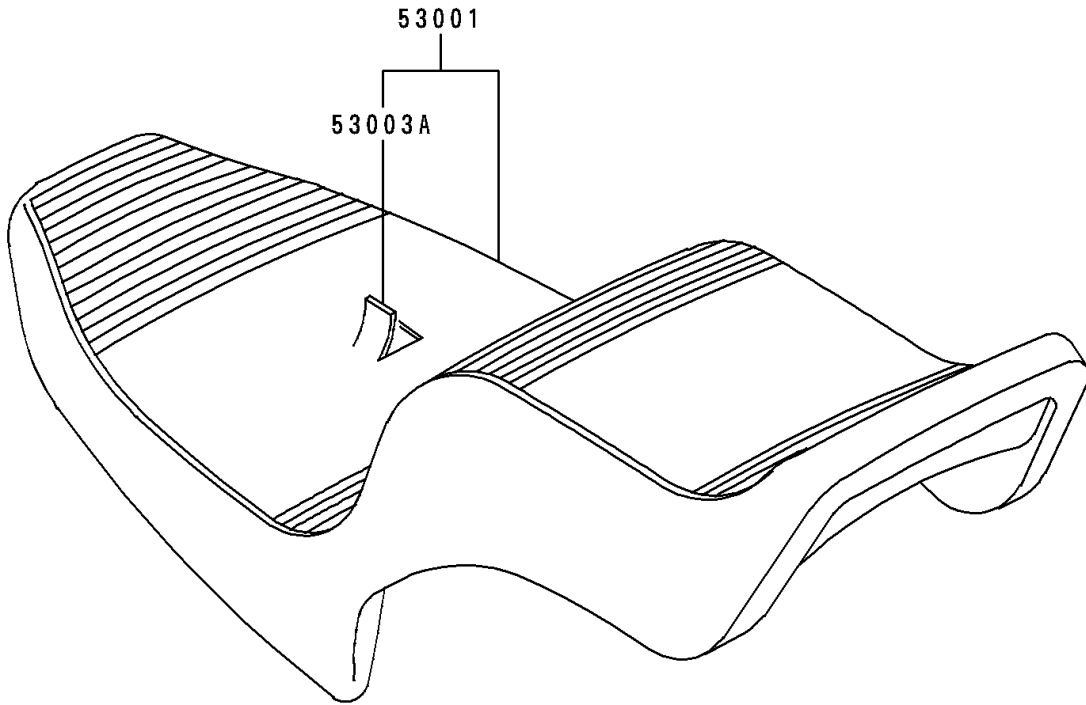


1992 Vulcan 500 PARTS DIAGRAM

Seat

F2510



1992 Vulcan 500 PARTS LIST

Seat

ITEM NAME	PART NUMBER	QUANTITY
BOLT-FLANGED-SMALL (Ref # 132)	132H0616	2
PAD,BACK REST,BLACK (Ref # 39156)	39156-1154-MA	1
SEAT-ASSY,DUAL,BLACK (Ref # 53001)	53001-1597-MA	1
LEATHER,SEAT,BLACK (Ref # 53003A)	53003-1241-MA	1