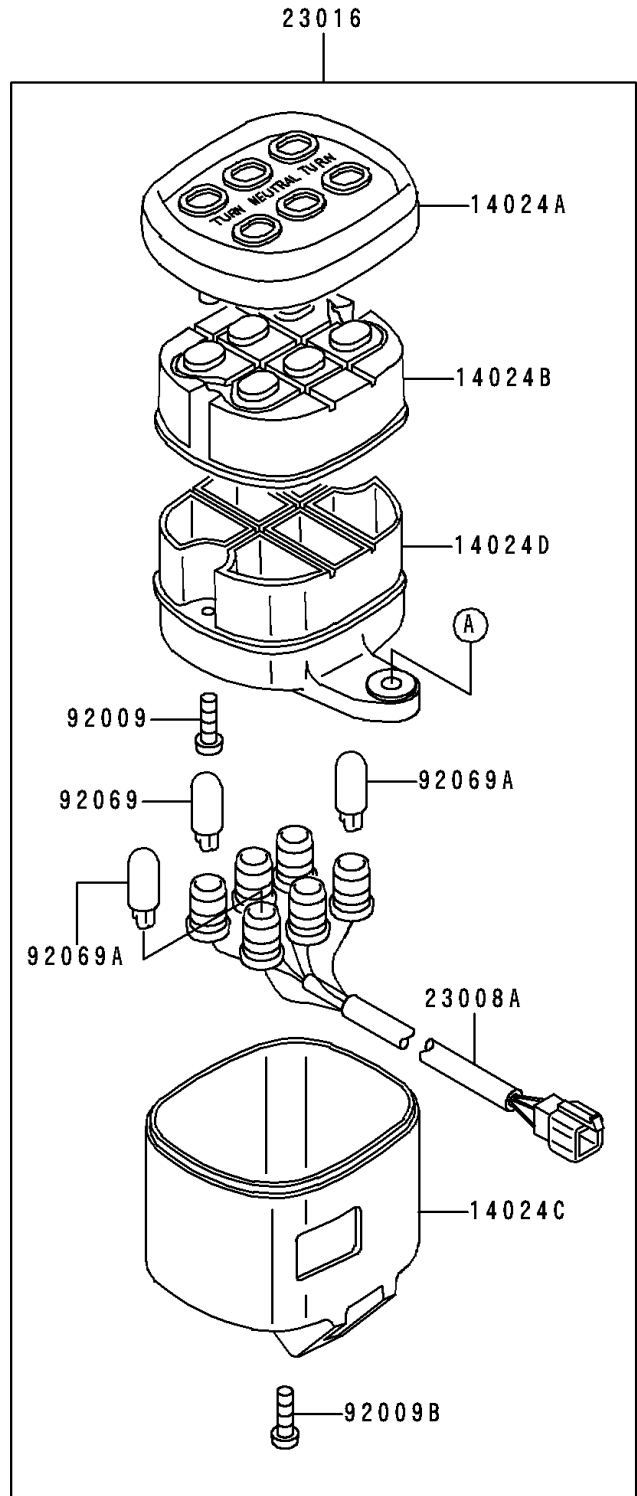
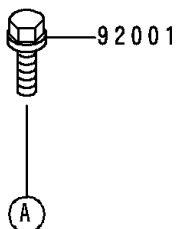
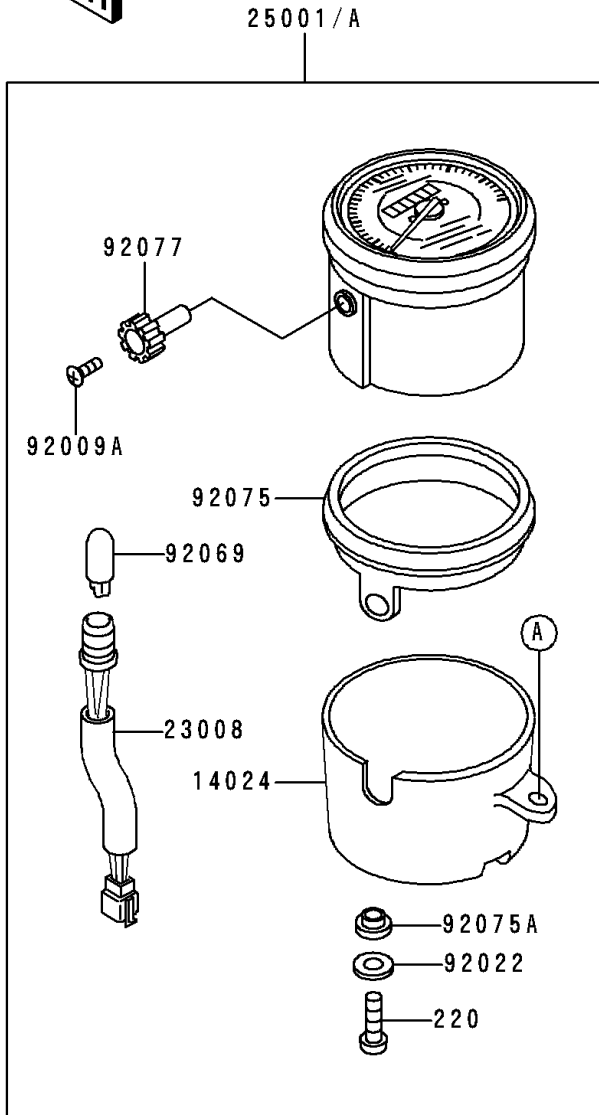


1993 Vulcan 500 PARTS DIAGRAM

Meters

F2530



1993 Vulcan 500 PARTS LIST

Meters

ITEM NAME	PART NUMBER	QUANTITY
-----------	-------------	----------