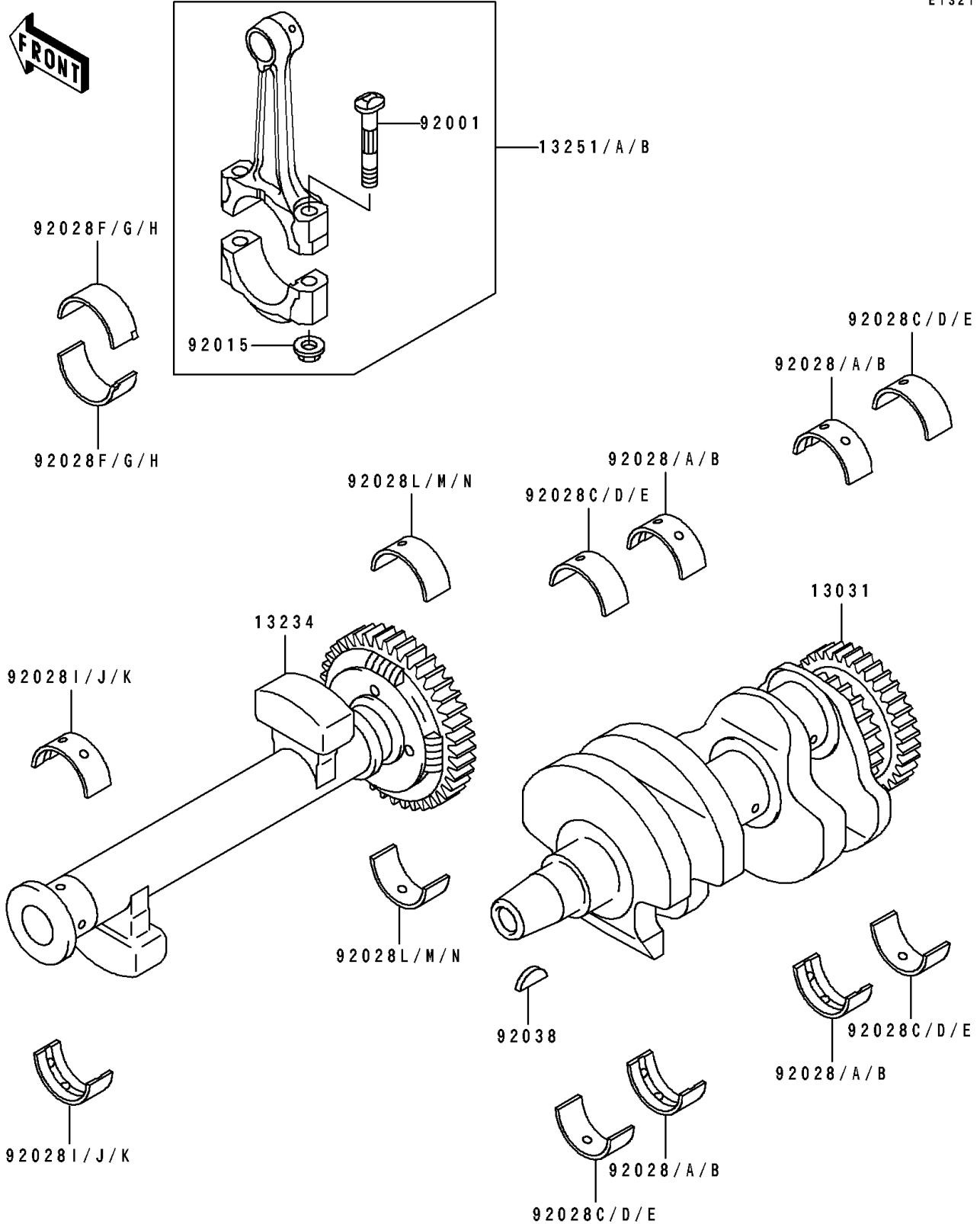


1995 Vulcan 500 PARTS DIAGRAM

Crankshaft

E1321



1995 Vulcan 500 PARTS LIST

Crankshaft

| ITEM NAME | PART NUMBER | QUANTITY |
|---|---------------|----------|
| CRANKSHAFT-COMP (Ref # 13031) | 13031-1303 | 1 |
| SHAFT-COMP,BALANCER (Ref # 13234) | 13234-1071 | 1 |
| ROD-ASSY-CONNECTING,H (Ref # 13251) | 13251-1067-HH | 2 |
| ROD-ASSY-CONNECTING,I (Ref # 13251A) | 13251-1067-II | 2 |
| ROD-ASSY-CONNECTING,J (Ref # 13251B) | 13251-1067-JJ | 2 |
| BOLT,CONNECTING ROD,8MM (Ref # 92001) | 92001-1887 | 4 |
| NUT,FLANGED,8MM (Ref # 92015) | 92015-1311 | 4 |
| BUSHING,CRANKSHAFT,BLUE (Ref # 92028) | 92028-1100 | 4 |
| BUSHING,CRANKSHAFT,BLACK (Ref # 92028A) | 92028-1101 | AR |
| BUSHING,CRANKSHAFT,BROWN (Ref # 92028B) | 92028-1102 | AR |
| BUSHING,CRANKSHAFT,BLUE (Ref # 92028C) | 92028-1272 | 4 |
| BUSHING,CRANKSHAFT,BLACK (Ref # 92028D) | 92028-1273 | AR |
| BUSHING,CRANKSHAFT,BROWN (Ref # 92028E) | 92028-1274 | AR |
| BUSHING,CONNECTING ROD,BLUE (Ref # 92028F) | 92028-1348 | 4 |
| BUSHING,CONNECTING ROD,BLACK (Ref # 92028G) | 92028-1349 | AR |
| BUSHING,CONNECTING ROD,BROWN (Ref # 92028H) | 92028-1350 | AR |
| BUSHING,BALANCER,LH,BLUE (Ref # 92028I) | 92028-1495 | 2 |
| BUSHING,BALANCER,LH,BLACK (Ref # 92028J) | 92028-1496 | AR |
| BUSHING,BALANCER,LH,BROWN (Ref # 92028K) | 92028-1497 | AR |
| BUSHING,BALANCER,RH,BLUE (Ref # 92028L) | 92028-1690 | 2 |
| BUSHING,BALANCER,RH,BLACK (Ref # 92028M) | 92028-1691 | AR |
| BUSHING,BALANCER,RH,BROWN (Ref # 92028N) | 92028-1692 | AR |
| KEY,WOODRUFF (Ref # 92038) | 92038-001 | 1 |