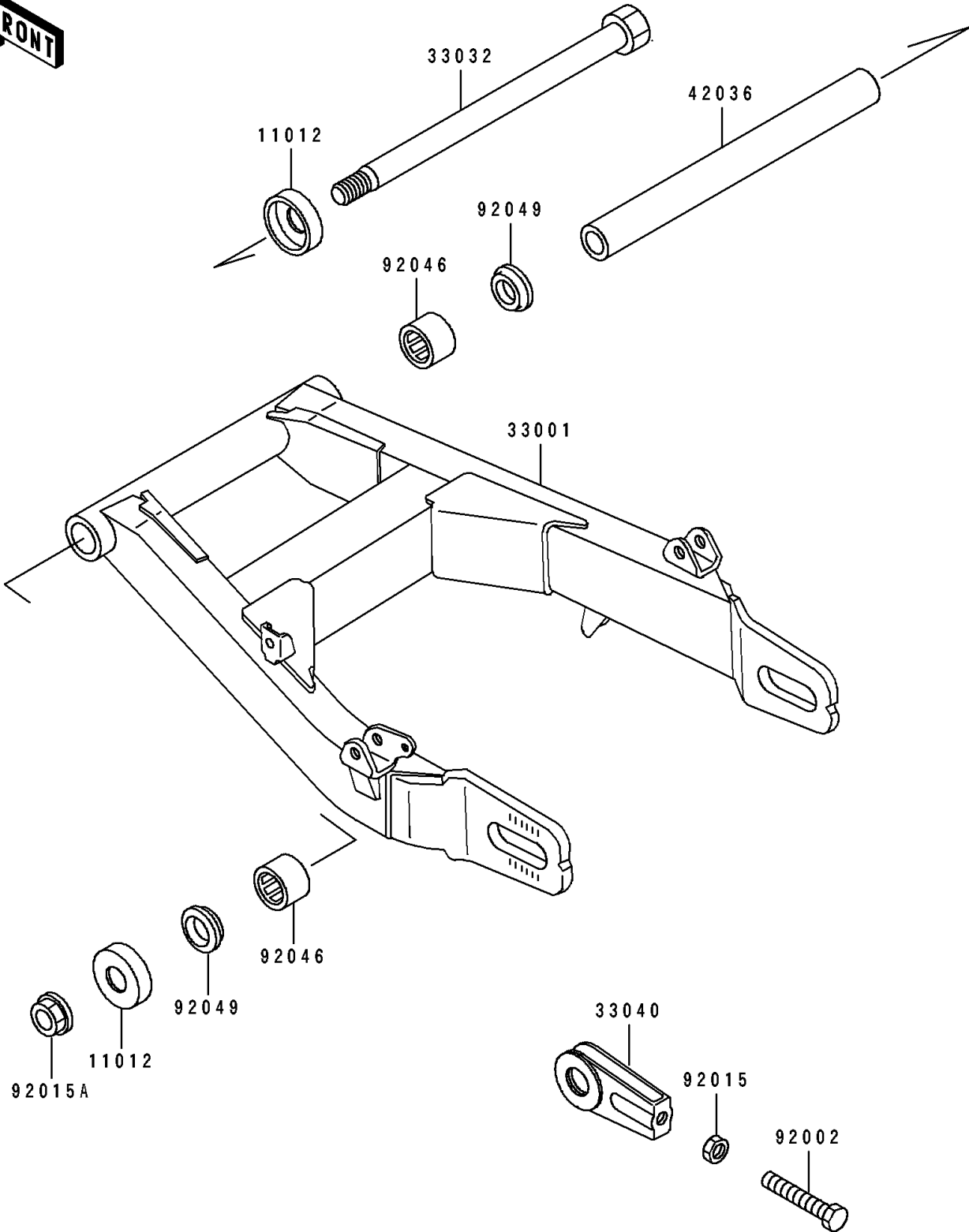


1995 Vulcan 500 PARTS DIAGRAM

Swingarm

F2141



1995 Vulcan 500 PARTS LIST

Swingarm

| ITEM NAME | PART NUMBER | QUANTITY |
|--|---------------|----------|
| CAP,SWING ARM (Ref # 11012) | 11012-1029 | 2 |
| ARM-COMP-SWING,BLACK (Ref # 33001) | 33001-1352-10 | 1 |
| SHAFT-SWING ARM (Ref # 33032) | 33032-1113 | 1 |
| ADJUSTER-CHAIN (Ref # 33040) | 33040-043 | 2 |
| SLEEVE,SWING ARM (Ref # 42036) | 42036-1018 | 1 |
| BOLT,CHAIN ADJUSTER,8X50 (Ref # 92002) | 92002-1076 | 2 |
| NUT,8MM (Ref # 92015) | 92015-1364 | 2 |
| NUT,14MM (Ref # 92015A) | 92015-1411 | 1 |
| BEARING-NEEDLE,HK2216 (Ref # 92046) | 92046-1115 | 2 |
| SEAL-OIL,MHA22284 (Ref # 92049) | 92049-1059 | 2 |