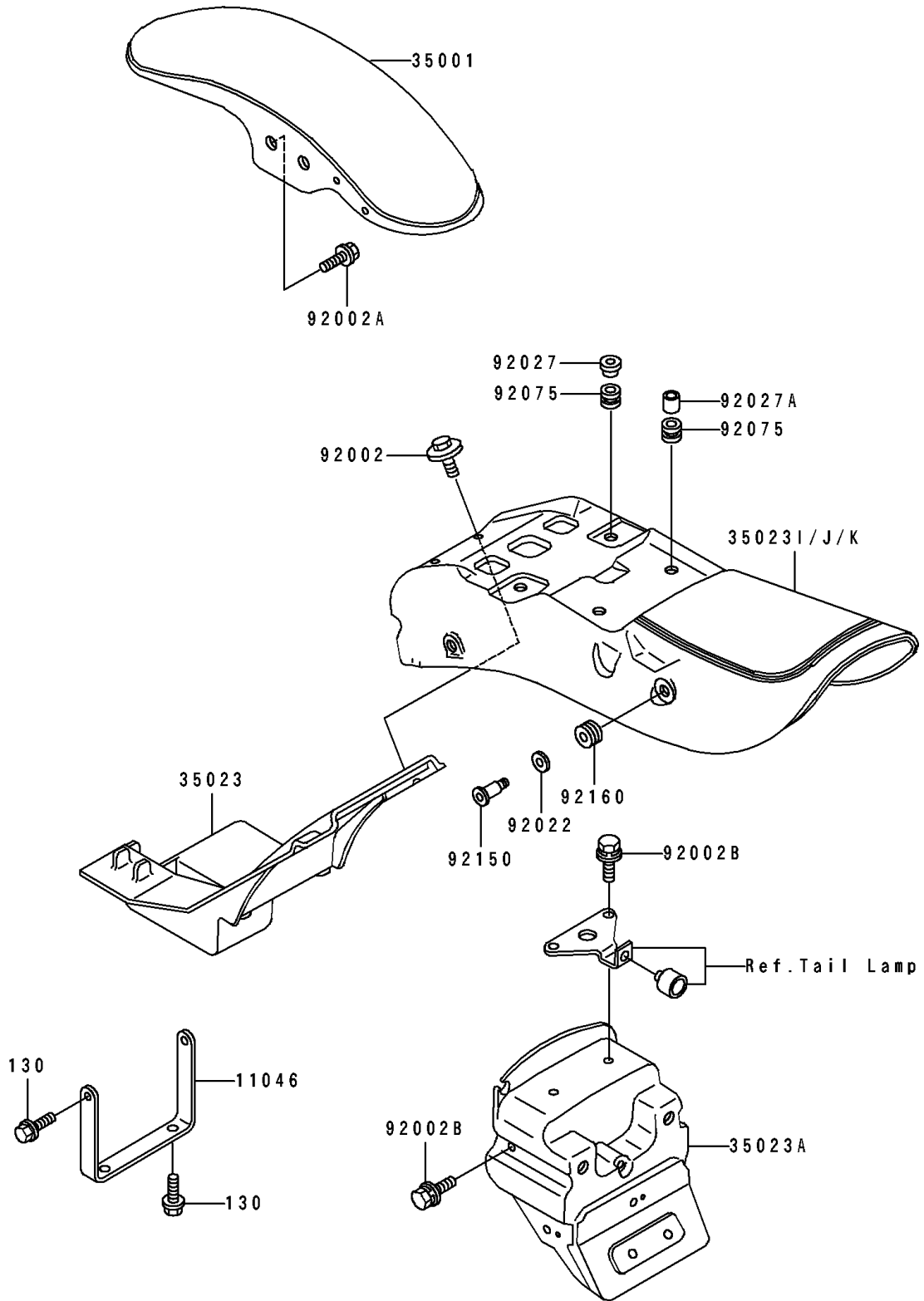


1995 Vulcan 500 PARTS DIAGRAM

Fenders

F2170



1995 Vulcan 500 PARTS LIST

Fenders

ITEM NAME	PART NUMBER	QUANTITY
BRACKET,REAR FENDER,FR (Ref # 11046)	11046-1913	1
FENDER-ASSY-FRONT (Ref # 35001)	35001-1140	1
FENDER-REAR,FR (Ref # 35023)	35023-1259	1
FENDER-REAR,RR,LWR (Ref # 35023A)	35023-1261	1
FENDER-REAR,RR,UPP,EBONY/SILVE (Ref # 35023I)	35023-5072-5F	1
FENDER-REAR,RR,UPP,RED/GRAY (Ref # 35023J)	35023-5073-JG	1
BOLT,6X16 (Ref # 92002)	92002-1188	2
BOLT,FLANGED,8X16 (Ref # 92002A)	92002-1200	4
BOLT,6X16 (Ref # 92002B)	92002-1242	4
WASHER (Ref # 92022)	92022-107	2
COLLAR,L=9 (Ref # 92027)	92027-1188	2
COLLAR,6.8X10X8.5 (Ref # 92027A)	92027-129	2
DAMPER (Ref # 92075)	92075-1634	4
BOLT (Ref # 92150)	92150-1413	2
DAMPER (Ref # 92160)	92160-1012	2
BOLT-FLANGED,6X10 (Ref # 130)	130H0610	4