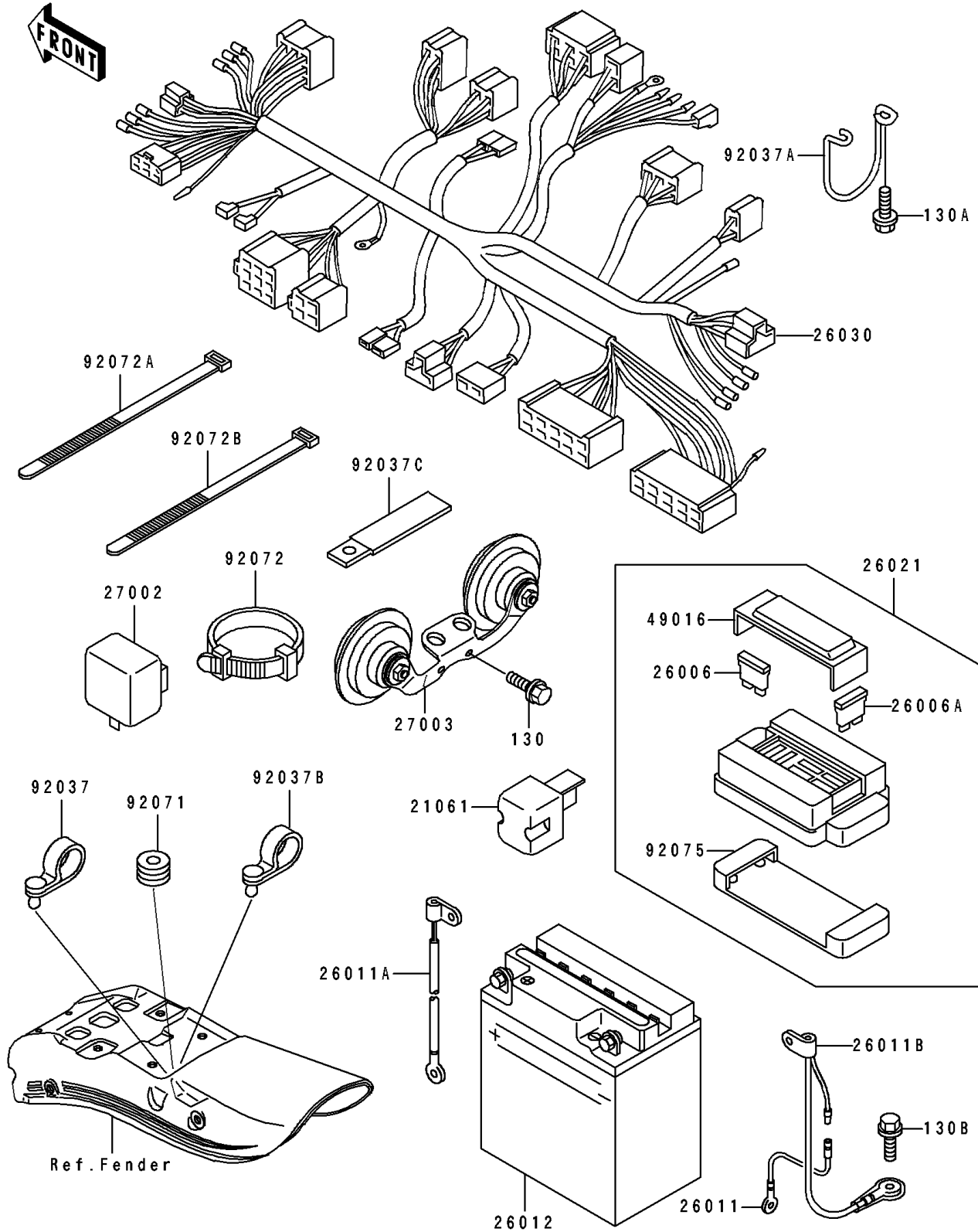


1995 Vulcan 500 PARTS DIAGRAM

Chassis Electrical Equipment

F2760



1995 Vulcan 500 PARTS LIST

Chassis Electrical Equipment

| ITEM NAME | PART NUMBER | QUANTITY |
|--|-------------|----------|
| RECTIFIER (Ref # 21061) | 21061-1003 | 2 |
| FUSE,30A-G (Ref # 26006) | 26006-1067 | 1 |
| FUSE,10A-R (Ref # 26006A) | 26006-1068 | 5 |
| WIRE-LEAD,ACCESSORY GROUND (Ref # 26011) | 26011-1100 | 1 |
| WIRE-LEAD,BATTERY(+) (Ref # 26011A) | 26011-1466 | 1 |
| WIRE-LEAD,BATTERY(-) (Ref # 26011B) | 26011-1467 | 1 |
| BATTERY,FB12A-A,12V 12AH (Ref # 26012) | 26012-1246 | 1 |
| JUNCTION BOX (Ref # 26021) | 26021-1077 | 1 |
| HARNESS,MAIN (Ref # 26030) | 26030-1012 | 1 |
| RELAY-ASSY,TURN SIGNAL (Ref # 27002) | 27002-1053 | 1 |
| HORN (Ref # 27003) | 27003-1323 | 1 |
| COVER-SEAL,FUSE (Ref # 49016) | 49016-1125 | 1 |
| CLAMP,HOSE (Ref # 92037) | 92037-1163 | 1 |
| CLAMP,HARNESS (Ref # 92037A) | 92037-1663 | 1 |
| CLAMP (Ref # 92037B) | 92037-1903 | 2 |
| CLAMP (Ref # 92037C) | 92037-1993 | 1 |
| GROMMET (Ref # 92071) | 92071-056 | 1 |
| BAND,L=149 (Ref # 92072) | 92072-031 | 4 |
| BAND,L=185 (Ref # 92072A) | 92072-1195 | 8 |
| BAND,L=365 (Ref # 92072B) | 92072-1197 | 2 |
| DAMPER,JUNCTION BOX (Ref # 92075) | 92075-1688 | 1 |
| BOLT-FLANGED,6X10,BLACK (Ref # 130) | 130C0610 | 2 |
| BOLT-FLANGED,6X14 (Ref # 130A) | 130C0614 | 2 |
| BOLT-FLANGED,6X10 (Ref # 130B) | 130V0610 | 1 |