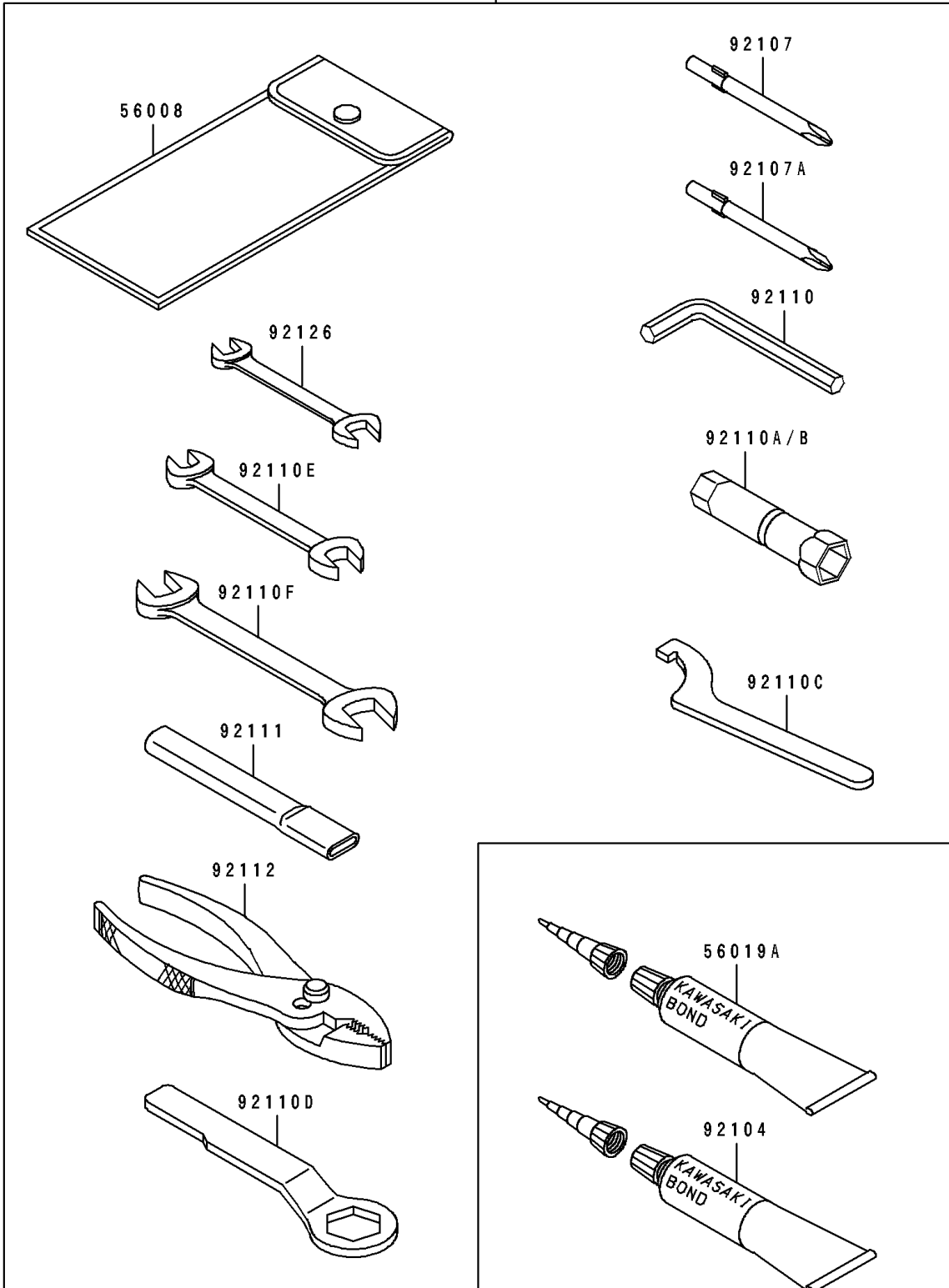


1996 Vulcan 500 PARTS DIAGRAM

Owner's Tools

56007/A

F2810



1996 Vulcan 500 PARTS LIST

Owner's Tools

| ITEM NAME | PART NUMBER | QUANTITY |
|-----------|-------------|----------|
|-----------|-------------|----------|