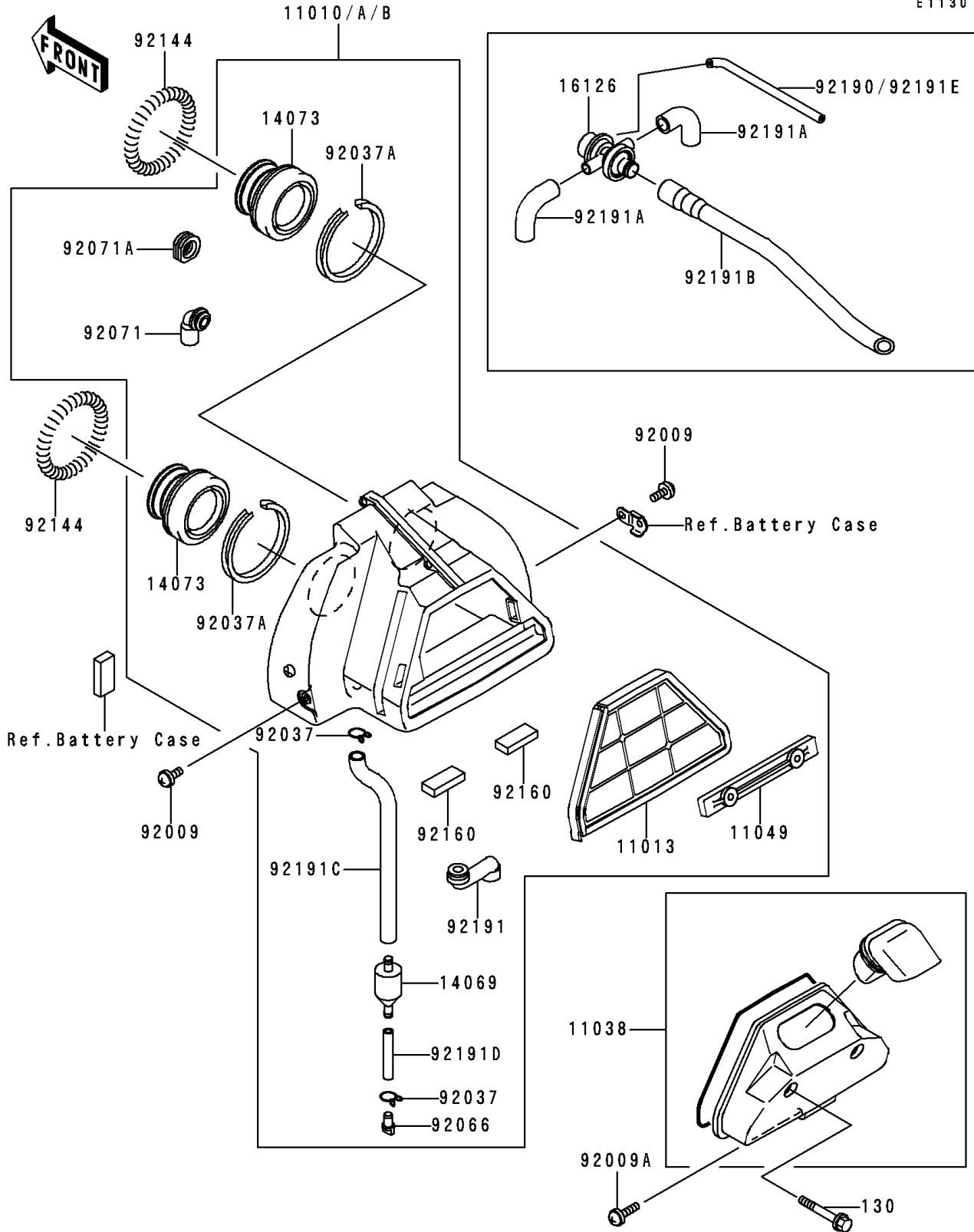


# 1999 Vulcan 500 LTD PARTS DIAGRAM

Air Cleaner

E1130



# 1999 Vulcan 500 LTD PARTS LIST

## Air Cleaner

| ITEM NAME                            | PART NUMBER | QUANTITY |
|--------------------------------------|-------------|----------|
| BOLT-FLANGED (Ref # 130)             | 130H0660    | 2        |
| ELEMENT-AIR FILTER (Ref # 11013)     | 11013-1250  | 1        |
| CASE-ASSY-AIR FILTER (Ref # 11038)   | 11038-1107  | 1        |
| BRACKET (Ref # 11049)                | 11049-1456  | 1        |
| BREATHER (Ref # 14069)               | 14069-1051  | 1        |
| DUCT,AIR FILTER (Ref # 14073)        | 14073-1651  | 2        |
| VALVE,AIR SWITCH (Ref # 16126)       | 16126-1318  | 1        |
| SCREW,6X10 (Ref # 92009)             | 92009-1402  | 2        |
| SCREW,6X55 (Ref # 92009A)            | 92009-1754  | 1        |
| CLAMP,TUBE (Ref # 92037)             | 92037-147   | 2        |
| CLAMP,69MM (Ref # 92037A)            | 92037-1631  | 2        |
| PLUG,DRAIN (Ref # 92066)             | 92066-1211  | 1        |
| GROMMET (Ref # 92071A)               | 92071-1165  | 1        |
| SPRING,AIR FILTER DUCT (Ref # 92144) | 92144-1771  | 2        |
| DAMPER (Ref # 92160)                 | 92160-1689  | 2        |
| TUBE,BREATHER (Ref # 92191)          | 92191-1044  | 1        |
| TUBE (Ref # 92191A)                  | 92191-1045  | 2        |
| TUBE (Ref # 92191B)                  | 92191-1046  | 1        |
| TUBE,AIR FILTER (Ref # 92191C)       | 92191-1074  | 1        |
| TUBE,6X4X60 (Ref # 92191D)           | 92191-1075  | 1        |
| FILTER-ASSY-AIR (Ref # 11010A)       | 11010-1570  | 1        |
| FILTER-ASSY-AIR (Ref # 11010B)       | 11010-1577  | 1        |
| GROMMET,AIR FILTER (Ref # 92071)     | 92071-1114  | 1        |
| TUBE,4X9X276 (Ref # 92190)           | 92190-1444  | 1        |
| TUBE,4X10X266 (Ref # 92191E)         | 92191-1077  | 1        |