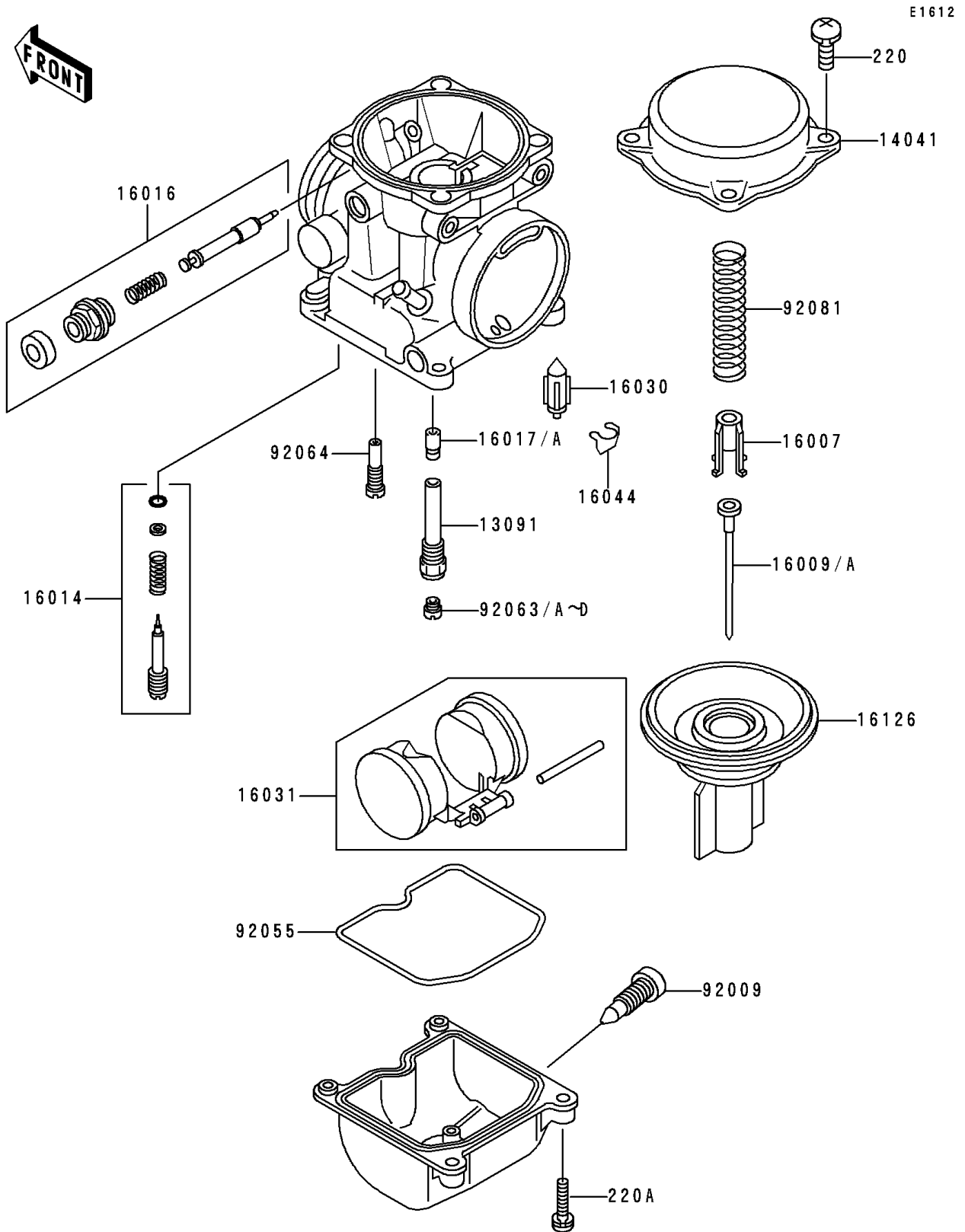


# 1998 Vulcan 500 LTD PARTS DIAGRAM

## Carburetor Parts



# 1998 Vulcan 500 LTD PARTS LIST

## Carburetor Parts

ITEM NAME	PART NUMBER	QUANTITY
SCREW-PAN-CROS (Ref # 220)	220D0408	8
SCREW-PAN-CROS (Ref # 220A)	220D0414	8
HOLDER,NEEDLE JET (Ref # 13091)	13091-1713	2
TOP-CHAMBER,MIXING,OUTSIDE (Ref # 14041)	14041-1076	2
SEAT-SPRING,THROTTLE VALVE (Ref # 16007)	16007-1120	2
NEEDLE-JET,N2WE (Ref # 16009A)	16009-1895	2
SCREW-PILOT AIR (Ref # 16014)	16014-1081	2
PLUNGER (Ref # 16016)	16016-1092	2
JET-NEEDLE (Ref # 16017A)	16017-1376	2
VALVE-FLOAT (Ref # 16030)	16030-1007	2
FLOAT (Ref # 16031)	16031-1077	2
CLAMP,FLOAT VALVE (Ref # 16044)	16044-007	2
VALVE,VACUUM (Ref # 16126)	16126-1160	2
SCREW,DRAIN,M6X0.75 (Ref # 92009)	92009-1551	2
RING-O,FLOAT CHAMBER (Ref # 92055)	92055-1222	2
JET-MAIN,#98 (Ref # 92063)	92063-1005	2
JET-MAIN,#100 (Ref # 92063A)	92063-1008	2
JET-MAIN,#105 (Ref # 92063B)	92063-1009	2
JET-MAIN,#102 (Ref # 92063C)	92063-1090	2
JET-MAIN,#108 (Ref # 92063D)	92063-1116	2
JET-PILOT,#35 (Ref # 92064)	92064-1101	2
SPRING,VACUUM VALVE (Ref # 92081)	92081-1925	2