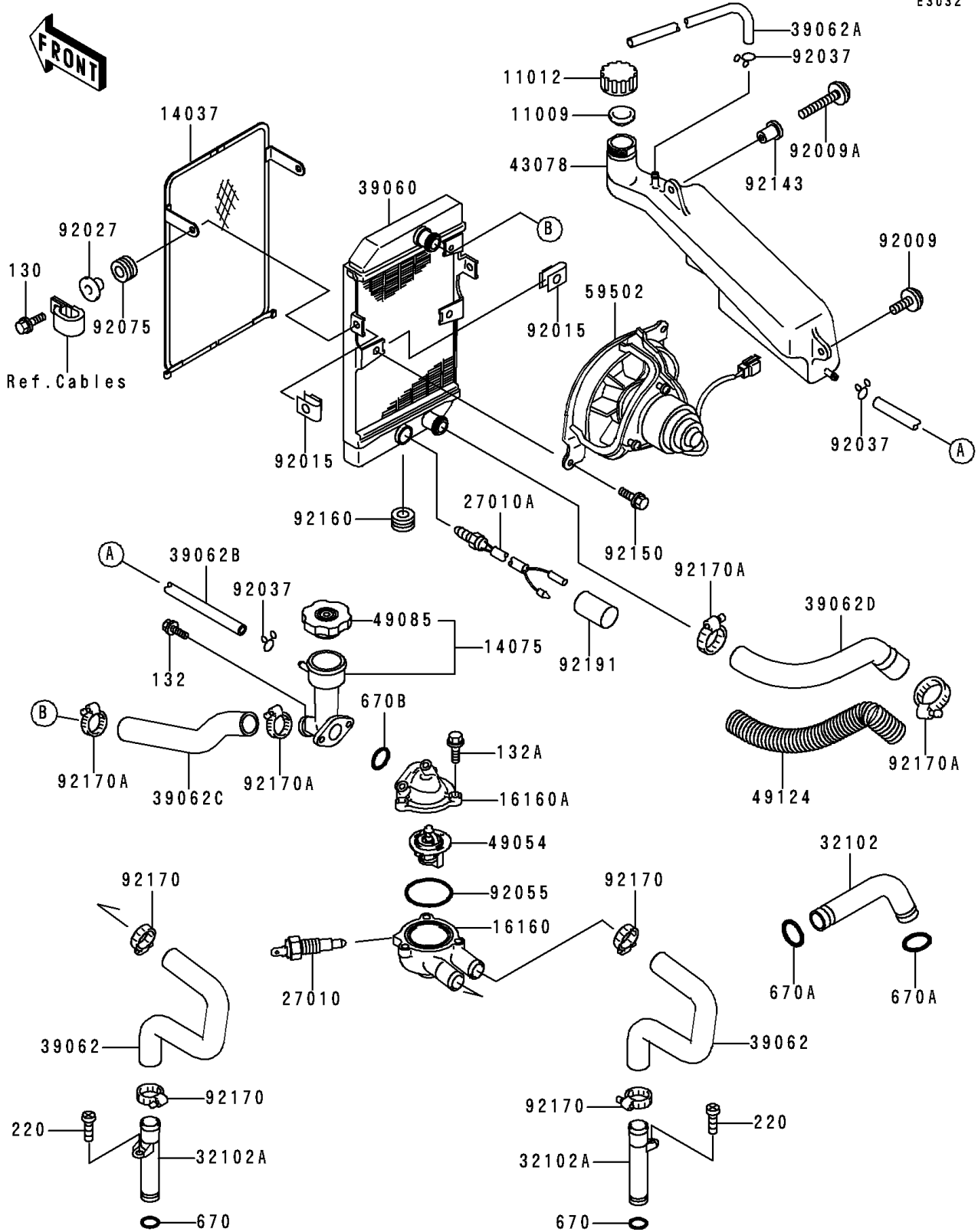


1999 Vulcan 500 LTD PARTS DIAGRAM

Radiator

E3032



1999 Vulcan 500 LTD PARTS LIST

Radiator

ITEM NAME	PART NUMBER	QUANTITY
BOLT-FLANGED,6X25 (Ref # 130)	130J0625	2
BOLT-FLANGED-SMALL (Ref # 132)	132G0616	2
BOLT-FLANGED-SMALL (Ref # 132A)	132G0620	3
SCREW-PAN-CROS,6X12 (Ref # 220)	220B0612	2
O RING,14MM (Ref # 670)	670B2014	2
O RING,18MM (Ref # 670A)	670B2018	2
GASKET,RESERVOIR TANK CAP (Ref # 11009)	11009-1145	1
CAP (Ref # 11012)	11012-1084	1
SCREEN,RADIATOR (Ref # 14037)	14037-1220	1
CAP-ASSY,RADIATOR (Ref # 14075)	14075-1102	1
BODY,THERMOSTAT,LWR (Ref # 16160)	16160-1138	1
BODY,THERMOSTAT,UPP (Ref # 16160A)	16160-1170	1
SWITCH,SENSOR WATER (Ref # 27010)	27010-1239	1
SWITCH,FAN (Ref # 27010A)	27010-1307	1
PIPE (Ref # 32102)	32102-1014	1
PIPE (Ref # 32102A)	32102-1473	2
RADIATOR (Ref # 39060)	39060-1136	1
HOSE-COOLING,HEAD-THERMO (Ref # 39062)	39062-1667	2
HOSE-COOLING,OVERFLOW (Ref # 39062A)	39062-1668	1
HOSE-COOLING,CAP-RESERVOIR (Ref # 39062B)	39062-1669	1
HOSE-COOLING,THERMO-RADIATOR (Ref # 39062C)	39062-1670	1
HOSE-COOLING,PUMP-RADIATOR (Ref # 39062D)	39062-1673	1
RESERVOIR (Ref # 43078)	43078-1151	1
THERMOSTAT (Ref # 49054)	49054-1055	1
CAP-ASSY-PRESSURE (Ref # 49085)	49085-1067	1
SPRING-TUBE GUARD (Ref # 49124)	49124-1057	1
FAN-ASSY (Ref # 59502)	59502-1116	1
SCREW,6X14 (Ref # 92009)	92009-1288	1
SCREW,6X35 (Ref # 92009A)	92009-1672	1

1999 Vulcan 500 LTD PARTS LIST

Radiator

ITEM NAME	PART NUMBER	QUANTITY
NUT (Ref # 92015)	92015-1487	4
COLLAR (Ref # 92027)	92027-1767	2
CLAMP,TUBE (Ref # 92037)	92037-147	3
RING-O,44.7X2.4 (Ref # 92055)	92055-1279	1
DAMPER (Ref # 92075)	92075-1680	2
COLLAR (Ref # 92143)	92143-1700	1
BOLT,6X12 (Ref # 92150)	92150-1186	3
DAMPER (Ref # 92160)	92160-1007	1
CLAMP,COOLING HOSE (Ref # 92170)	92170-1077	4
CLAMP,COOLING HOSE (Ref # 92170A)	92170-1286	4
TUBE (Ref # 92191)	92191-1080	1
O RING,20MM (Ref # 670B)	670B2020	1