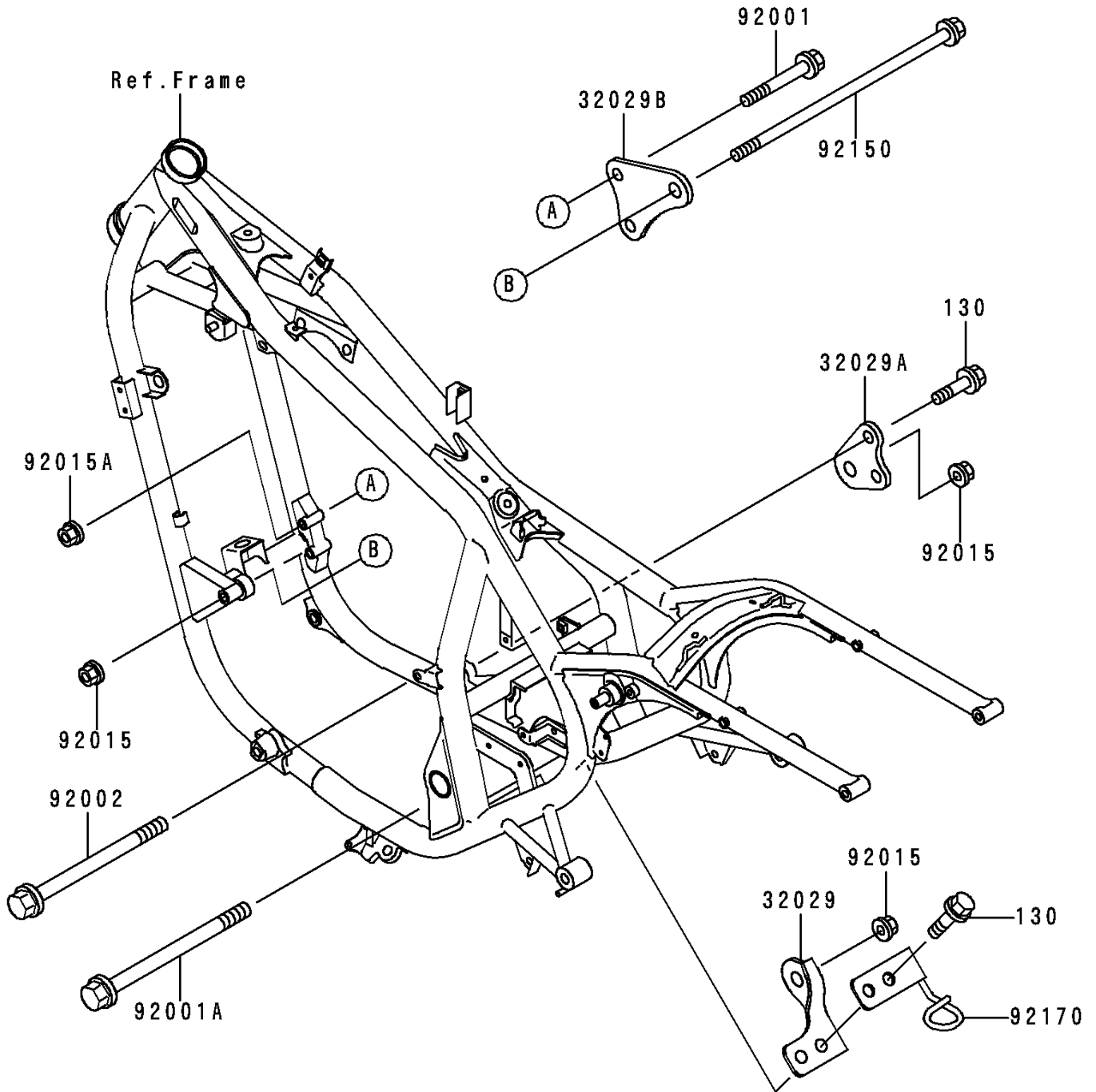


# 1998 Vulcan 500 LTD PARTS DIAGRAM

Frame Fittings

F2131



# 1998 Vulcan 500 LTD PARTS LIST

## Frame Fittings

| ITEM NAME                               | PART NUMBER | QUANTITY |
|---|-------------|----------|
| BOLT-FLANGED,8X16,BLACK (Ref # 130)     | 130J0816    | 4        |
| BRACKET-ENGINE,RR,LWR,RH (Ref # 32029)  | 32029-1379  | 1        |
| BRACKET-ENGINE,RR,RH,UPP (Ref # 32029A) | 32029-1974  | 1        |
| BRACKET-ENGINE,FR,RH (Ref # 32029B)     | 32029-1975  | 1        |
| BOLT,FLANGED,8X45 (Ref # 92001)         | 92001-1613  | 2        |
| BOLT,FLANGED,10X180 (Ref # 92001A)      | 92001-1621  | 1        |
| BOLT,FLANGED,10X170 (Ref # 92002)       | 92002-1470  | 1        |
| NUT,FLANGED,10MM (Ref # 92015)          | 92015-1180  | 3        |
| NUT,FLANGED,8MM,BLACK (Ref # 92015A)    | 92015-1251  | 2        |
| BOLT,FLANGED,10X240 (Ref # 92150)       | 92150-1742  | 1        |
| CLAMP,HOSE (Ref # 92170)                | 92170-1711  | 1        |