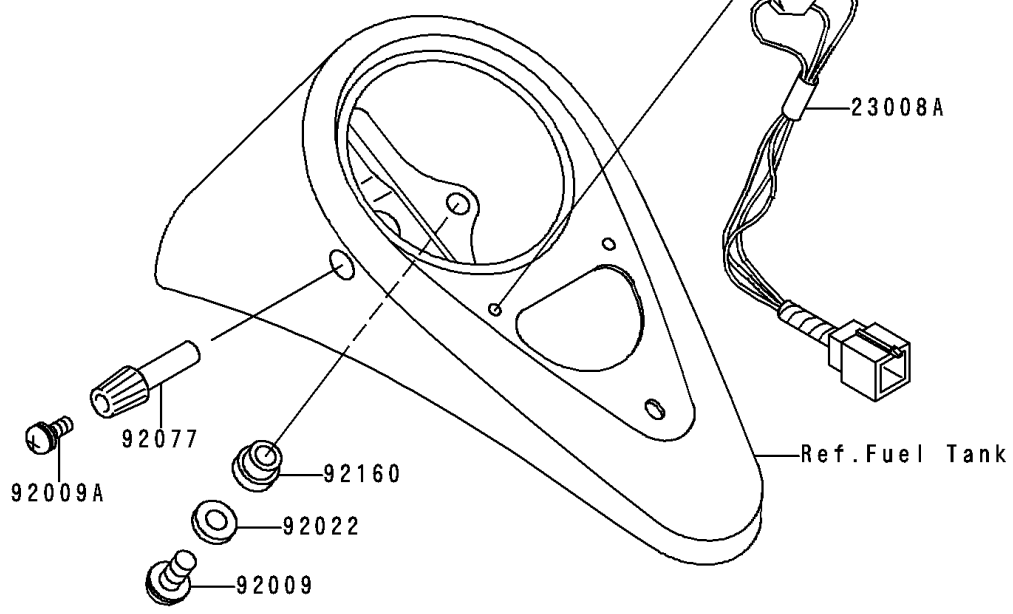
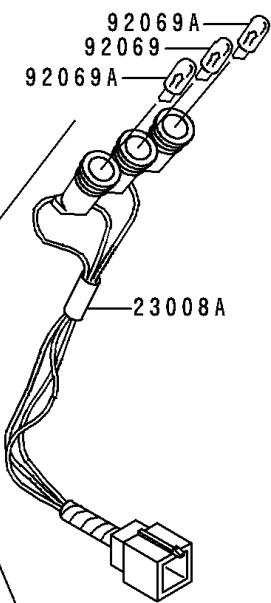
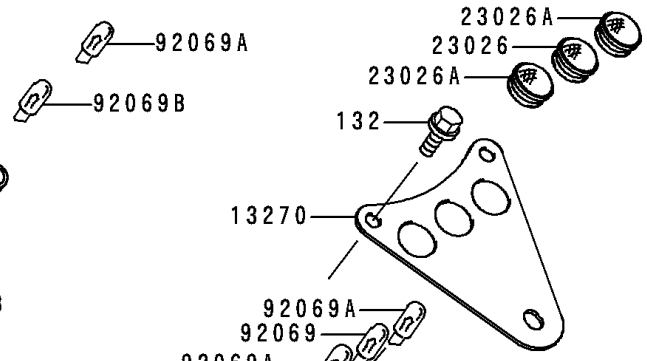
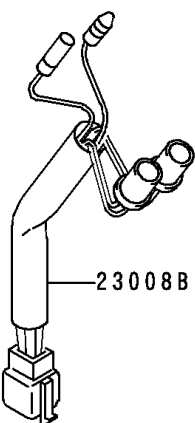
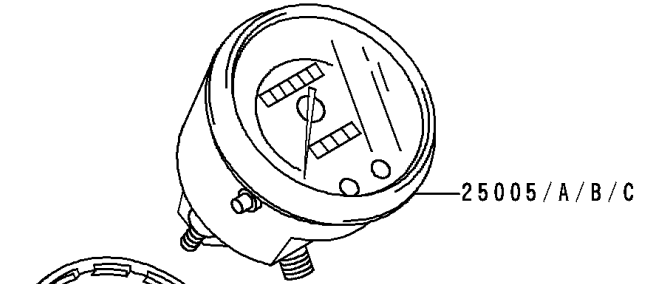
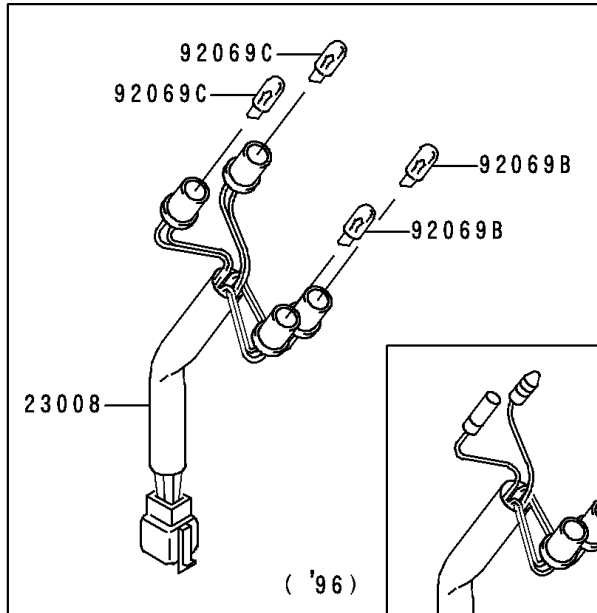


# 1999 Vulcan 500 LTD PARTS DIAGRAM

Meter(s)

F2530



# 1999 Vulcan 500 LTD PARTS LIST

Meter(s)

ITEM NAME	PART NUMBER	QUANTITY
BOLT-FLANGED-SMALL (Ref # 132)	132E0612	3
PLATE,PILOT LAMP (Ref # 13270)	13270-1637	1
SOCKET-ASSY,PILOT LAMP (Ref # 23008A)	23008-1546	1
SOCKET-ASSY,SPEEDOMETER (Ref # 23008B)	23008-1575	1
LENS,GREEN (Ref # 23026)	23026-1171	1
LENS,RED (Ref # 23026A)	23026-1173	2
SPEEDOMETER,MPH (Ref # 25005B)	25005-1616	1
SCREW,4X6 (Ref # 92009)	92009-1690	2
SCREW,3X8 (Ref # 92009A)	92009-1799	1
WASHER,4.3X12.5X1 (Ref # 92022)	92022-1949	2
BULB,12V 3.4W,T10 (Ref # 92069)	92069-1007	1
BULB,12V 1.7W,T10 (Ref # 92069A)	92069-1059	3
BULB,12V 3W,T6.5 (Ref # 92069B)	92069-1068	1
KNOB,TRIP (Ref # 92077)	92077-1117	1
DAMPER (Ref # 92160)	92160-1068	2
DAMPER,SHOCK,METER (Ref # 92160A)	92160-1380	1