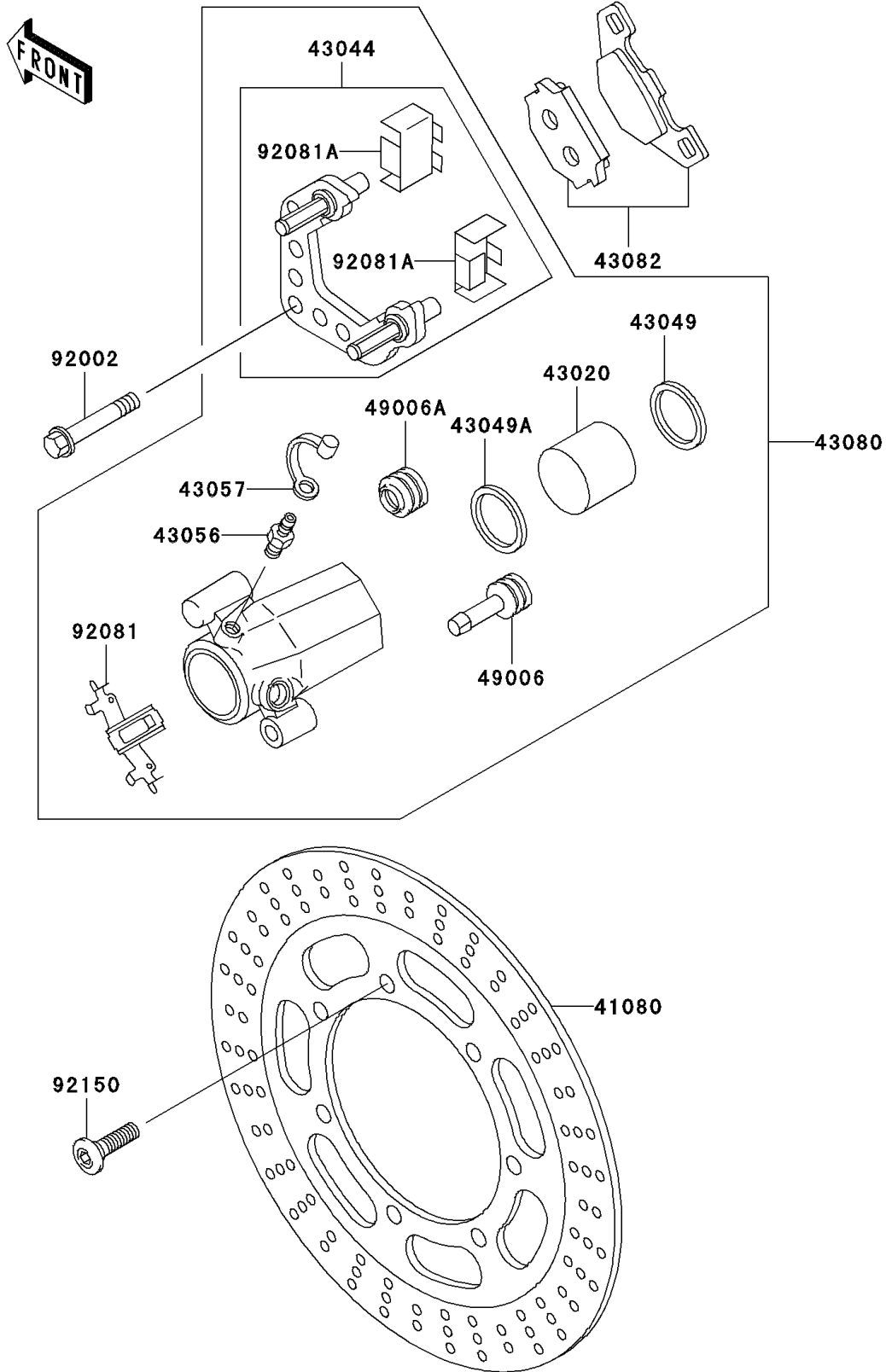


# 2004 Vulcan 500 LTD PARTS DIAGRAM

Front Brake(EN500-C9)

F2292A



## 2004 Vulcan 500 LTD PARTS LIST

Front Brake(EN500-C9)

| ITEM NAME                                   | PART NUMBER   | QUANTITY |
|---------------------------------------------|---------------|----------|
| DISC,FR,SILVER (Ref # 41080)                | 41080-1401-CM | 1        |
| PISTON-COMP-BRAKE (Ref # 43020)             | 43020-1066    | 1        |
| HOLDER-COMP-CALIPER,FR,LH (Ref # 43044)     | 43044-1102    | 1        |
| PACKING,PISTON (Ref # 43049)                | 43049-1028    | 1        |
| PACKING,PISTON SEAL (Ref # 43049A)          | 43049-1098    | 1        |
| BREATHER-BRAKE (Ref # 43056)                | 43056-1054    | 1        |
| CAP-BREATHER (Ref # 43057)                  | 43057-003     | 1        |
| CALIPER-SUB-ASSY,FR,LH,SILVER (Ref # 43080) | 43080-5005-GN | 1        |
| PAD-ASSY-BRAKE (Ref # 43082)                | 43082-1080    | 1        |
| BOOT,CALIPER (Ref # 49006)                  | 49006-1094    | 1        |
| BOOT,CALIPER (Ref # 49006A)                 | 49006-1095    | 1        |
| BOLT,FLANGED,10X47 (Ref # 92002)            | 92002-1469    | 2        |
| SPRING,PAD (Ref # 92081)                    | 92081-1525    | 1        |
| SPRING,PAD STOPPER (Ref # 92081A)           | 92081-1661    | 2        |
| BOLT,SOCKET,8X30 (Ref # 92150)              | 92150-1771    | 7        |