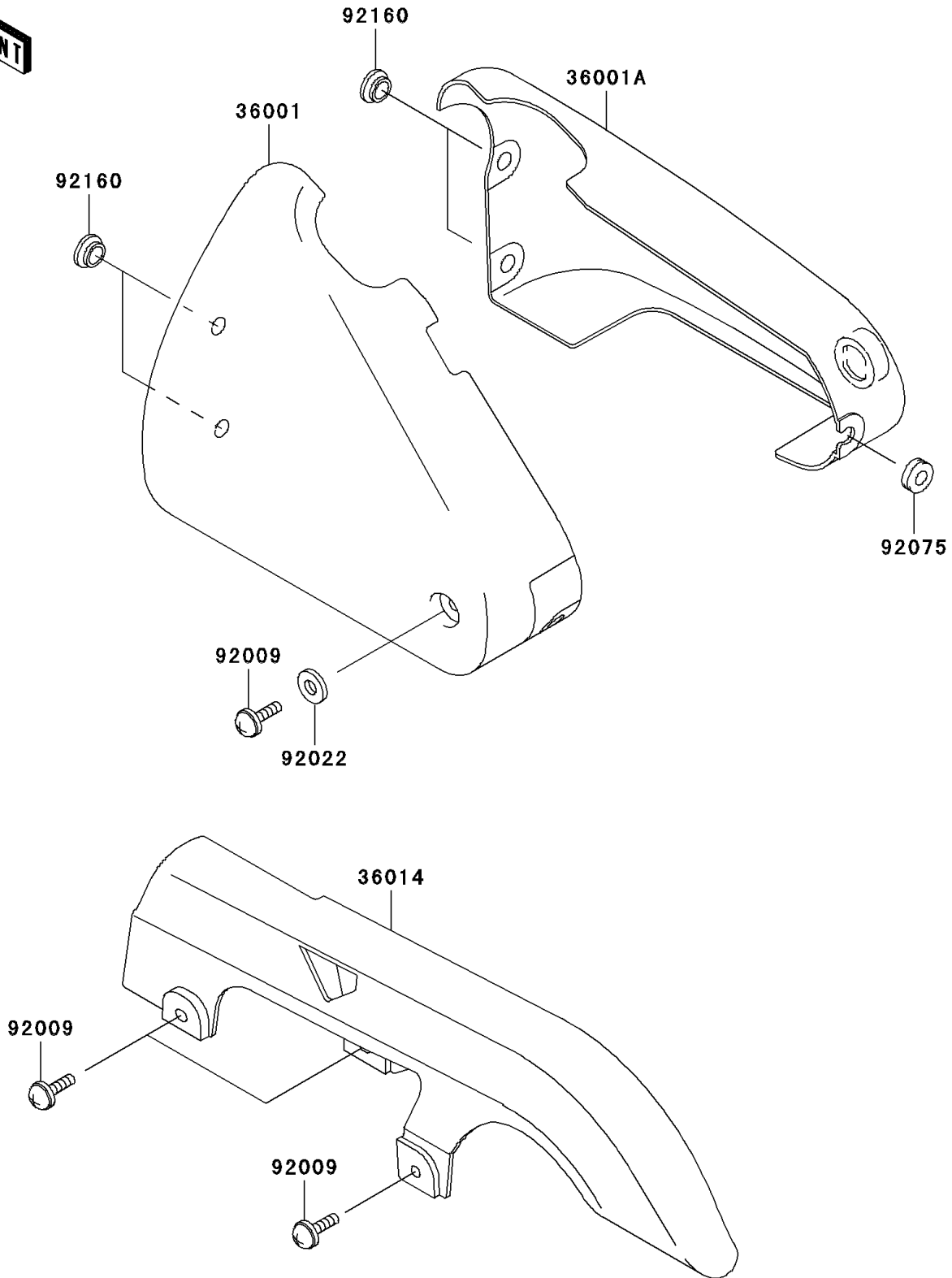


2001 Vulcan 500 LTD PARTS DIAGRAM

Side Covers/Chain Cover

F2610



2001 Vulcan 500 LTD PARTS LIST

Side Covers/Chain Cover

| ITEM NAME | PART NUMBER | QUANTITY |
|------------------------------------|---------------|----------|
| COVER-SIDE,LH,EBONY (Ref # 36001) | 36001-1559-H8 | 1 |
| COVER-SIDE,RH,EBONY (Ref # 36001A) | 36001-1560-H8 | 1 |
| CASE-CHAIN (Ref # 36014) | 36014-1201 | 1 |
| SCREW,6X14 (Ref # 92009) | 92009-1662 | 4 |
| WASHER,6.5X16X1 (Ref # 92022) | 92022-1143 | 1 |
| DAMPER (Ref # 92075) | 92075-1629 | 1 |
| DAMPER (Ref # 92160) | 92160-1764 | 4 |