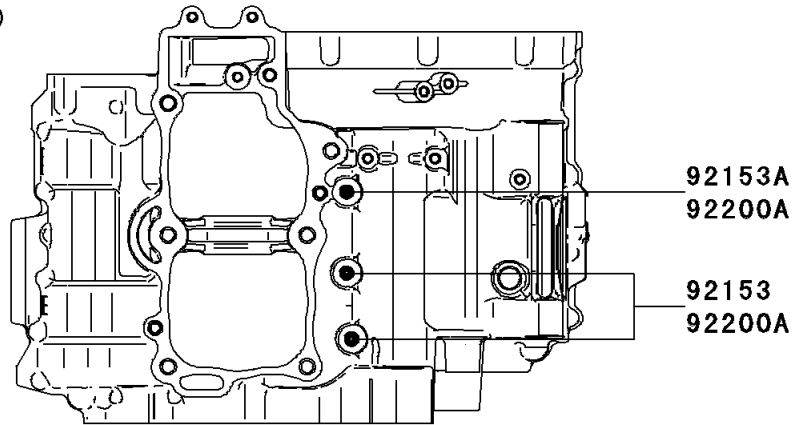


# 2007 ER-6n (Australian) PARTS DIAGRAM

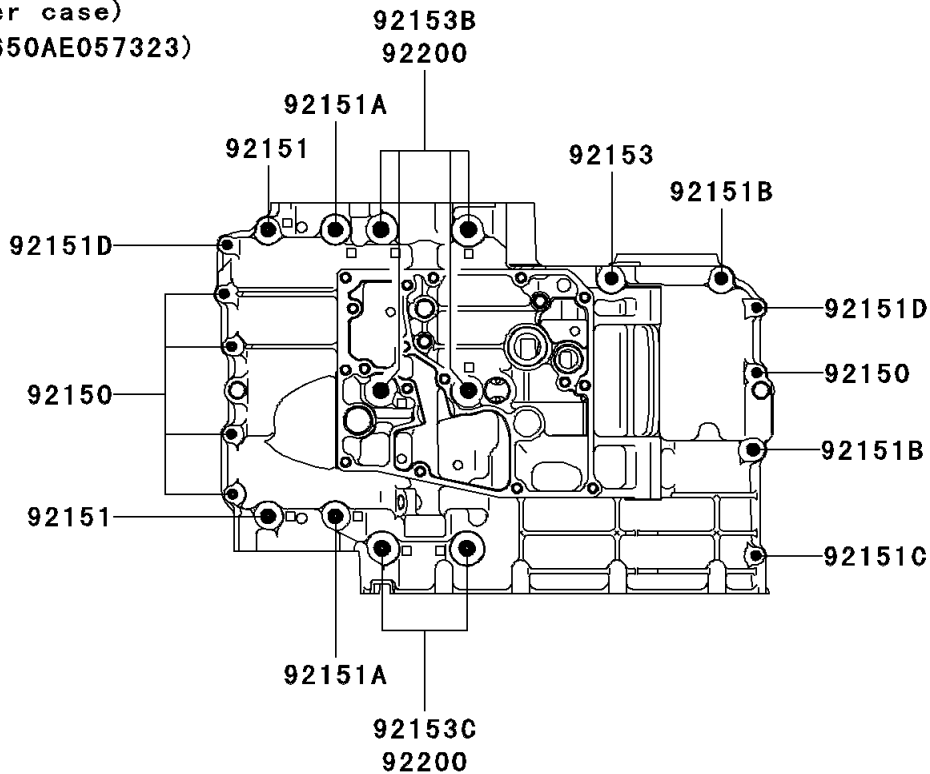
## Crankcase Bolt Pattern

E1412

(Upper case)  
(~ER650AE057323)



(Lower case)  
(~ER650AE057323)



## 2007 ER-6n (Australian) PARTS LIST

### Crankcase Bolt Pattern

ITEM NAME	PART NUMBER	QUANTITY
BOLT,6X38 (Ref # 92150)	92150-1301	5
BOLT,8X60 (Ref # 92151)	92151-1461	2
BOLT,8X73 (Ref # 92151A)	92151-1462	2
BOLT,8X50 (Ref # 92151B)	92151-1463	2
BOLT,6X32 (Ref # 92151C)	92151-1464	1
BOLT,6X45 (Ref # 92151D)	92151-1465	2
BOLT,FLANGED,8X110 (Ref # 92153)	92153-0959	3
BOLT,FLANGED,8X120 (Ref # 92153A)	92153-0960	1
BOLT,FLANGED,9X113 (Ref # 92153B)	92153-1449	4
BOLT,FLANGED,9X83 (Ref # 92153C)	92153-1450	2
WASHER,9.2X19X23 (Ref # 92200)	92200-0115	6
WASHER,8.5X16X1.2 (Ref # 92200A)	92200-1063	3