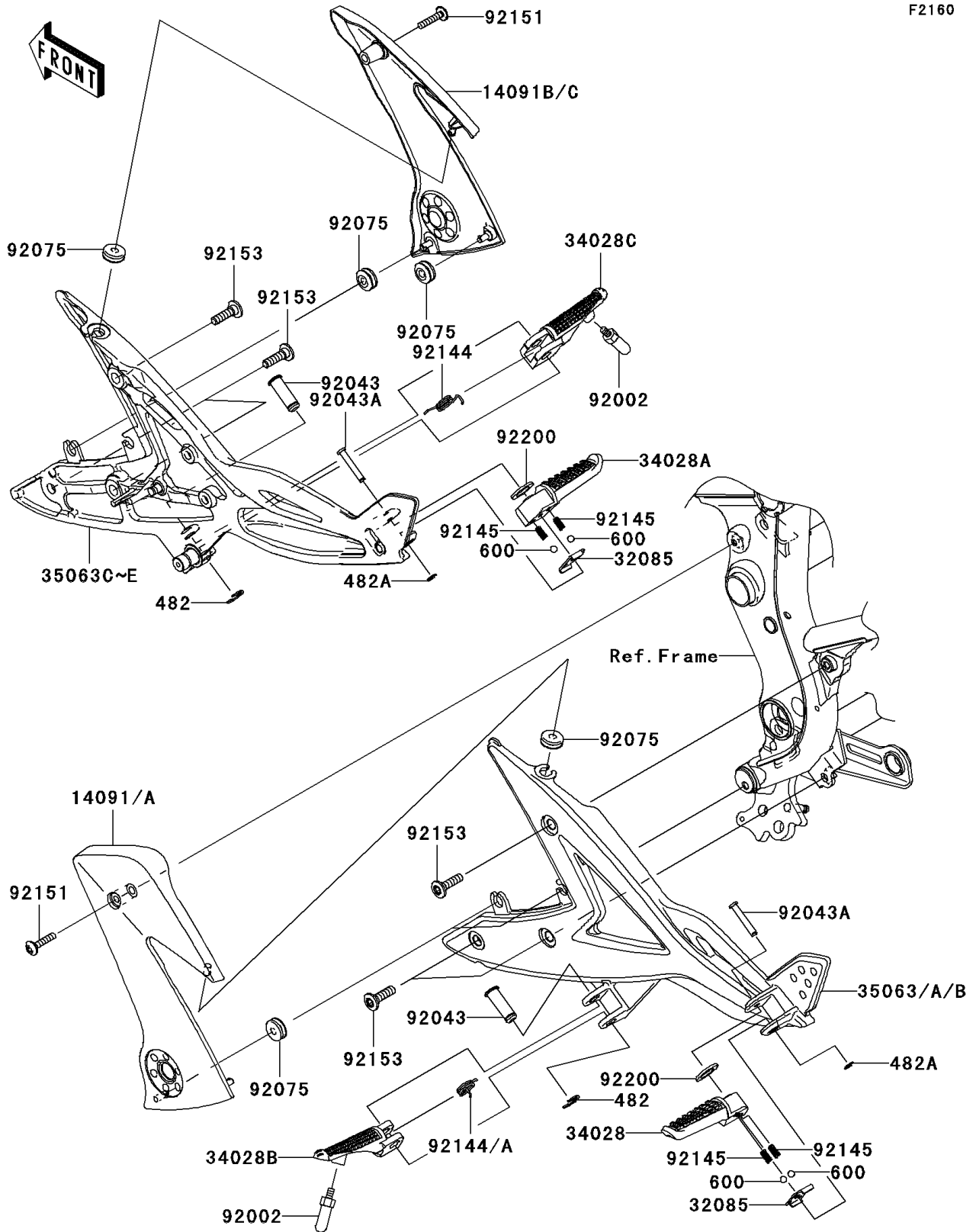


2006 ER-6n (Australian) PARTS DIAGRAM

Footrests

F2160



2006 ER-6n (Australian) PARTS LIST

Footrests

ITEM NAME	PART NUMBER	QUANTITY
CIRCLIP-TYPE-E,10MM (Ref # 482)	482L0100	2
CIRCLIP-TYPE-E,5MM (Ref # 482A)	482L5000	2
BALL-STEEL,1/4" (Ref # 600)	600A0800	4
COVER,PIVOT,LH,S.F.C.GRAY (Ref # 14091A)	14091-0461-837	1
COVER,PIVOT,RH,S.F.C.GRAY (Ref # 14091C)	14091-0789-837	1
STOPPER,REAR STEP (Ref # 32085)	32085-0047	2
STEP,RR,LH (Ref # 34028)	34028-0004	1
STEP,RR,RH (Ref # 34028A)	34028-0005	1
STEP,FR,LH (Ref # 34028B)	34028-0059	1
STEP,FR,RH (Ref # 34028C)	34028-0060	1
STAY,STEP,LH,M.SILVER (Ref # 35063B)	35063-0285-735	1
STAY,STEP,RH,M.SILVER (Ref # 35063E)	35063-0286-735	1
BOLT,BANK SENSOR (Ref # 92002)	92002-1995	2
PIN,12X36.5 (Ref # 92043)	92043-0028	2
PIN,6X40 (Ref # 92043A)	92043-1595	2
DAMPER (Ref # 92075)	92075-1067	6
SPRING,STEP RETURN (Ref # 92144)	92144-1567	1
SPRING,STEP RETURN (Ref # 92144A)	92144-1568	1
SPRING (Ref # 92145)	92145-1319	4
BOLT,SOCKET,6X30 (Ref # 92151)	92151-1605	2
BOLT,SOCKET,8X30 (Ref # 92153)	92153-1630	6
WASHER,16X26X2.3 (Ref # 92200)	92200-0043	2